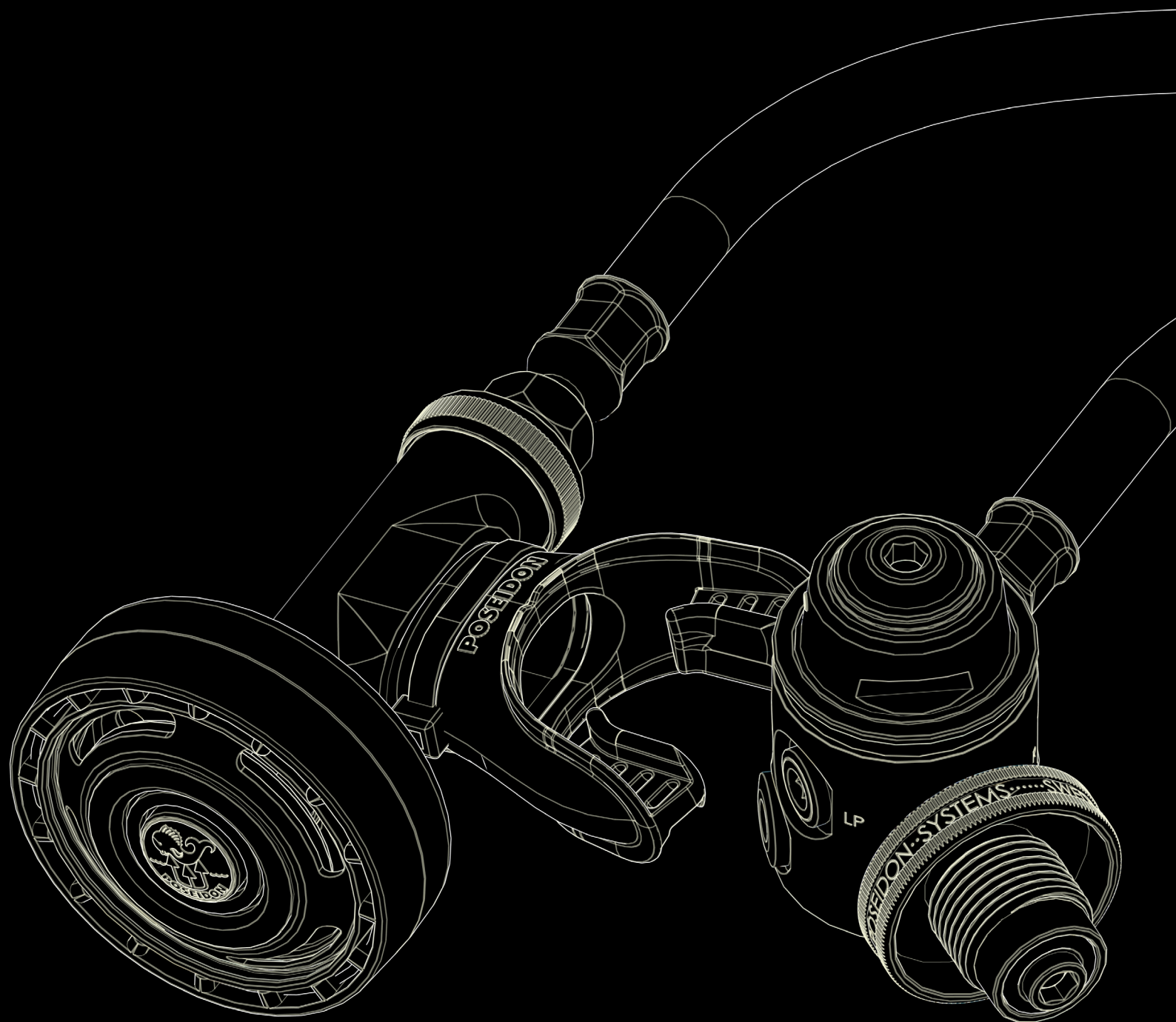


# CYKLON 5000 ART. NMBR 3950

SERVICE MANUAL V1.0



# CYKLON 5000 - Article number 3950



**TABLE OF CONTENT**

<b>Chapter</b>	<b>Page</b>
Important information	3
Function	4
Tools	5
Cyklon 5000 (art. nمبر 3950) specifications	8
Second stage exploded view	9
Second stage parts list	10
First stage 3720 exploded view with parts list	11
First stage 3720 10 exploded view with parts list	12
Second stage disassembly instructions	13
Second stage assembly instructions	17
Second stage adjustments	22
First stage disassembly	23
First stage assembly with cleaning instructions	28
First stage settings and adjustment	33

## IMPORTANT

This manual contains preliminary servicing instructions for the Poseidon breathing regulators. It is intended to serve as a guide for repairs and servicing carried out by Poseidon Diving Systems. The instructions given in this manual are based on the assumption that special tools are used and are based on our experience. The work should be done in the same order as shown in these instructions.

## TYPE DESIGNATIONS

In all correspondence concerning breathing regulators, indicate the type designation and serial number. All products in this servicemanual that requires a CE-approval are of course CE-approved. CE approval represents only a minimum level of product quality and manufacturing standards. At Poseidon we put each new addition through rigorous testing procedures ourselves. This is the only proper method to ensure that your equipment will live up to our claims.

## CLEANING

If corrosion or salt deposits occurs, place all metal parts in concentrated Hempocid\* or 15% Hydrochloric acid for about 10 minutes. If available, all metal parts can be placed in an ultrasonic washer and cleaned in accordance with the instructions of the cleaning solution used.

Then, rinse the parts thoroughly and blow dry with air. The synthetic parts in the second stage must not be treated with solvent. They shall be cleaned in freshwater only.

*\*Hempocid = Acid Liquid Detergent Containing phosphoric acid (5 - 10%) and bactericid for disinfectant cleaning.*

## LUBRICANTS USED

The following lubricant/oil are used:

**Regulator Lubricant:** Art no 8516

**Oil:** Silicon oil Art no 3139

**FUNCTION**

POSEIDON breathing regulator is a two-stage regulator where the first stage is a diaphragm-actuated reducing valve, which reduces the primary pressure (Cylinder pressure) to approx. 167 PSI/11,5 BAR. The reduced pressure (the secondary pressure) then goes via the regulator hose to the second stage where the air supply is automatically regulated to the convenience of the diver.

The first-stage always holds the adjusted pressure above the ambient pressure which is necessary to the function of the breathing regulator. This is brought about, the outer springloaded diaphragm being in contact with the ambient pressure. It automatically responds to this pressure acting it and thereby regulates all changes in pressure.

During diving in cold water, i.e, temperatures lower than +10°C (+50°Fahrenheit ), the outer spring housing of the first stage may be provided with an anti-freeze cap in order to prevent direct contact with the water. This is necessary as the considerable cooling that takes place when the primary air expands in the secondary chamber can otherwise cause ice to form and thereby prevent the springs and diaphragm from functioning.

The second-stage functions in such a way that the underpressure created in the regulator housing during each inhalation influences a diaphragm actuated valve system, which will supply the necessary air as long as the inhalation phase lasts. The automatic pressure compensation takes place in the same way as in the first stage, the outer diaphragm surface being in direct contact with ambient pressure, and the pressure on the inside of the diaphragm must correspond to ambient pressure before the diaphragm can return to its position. The diaphragm returns to its rest position and shuts off the air flowing in as soon as the inhalation phase has been broken off and the air pressure in the regulator housing has become equal to ambient pressure.

The second stage has been provided with an ejector system for the purpose of keeping inhalation effort to a minimum.

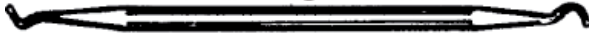
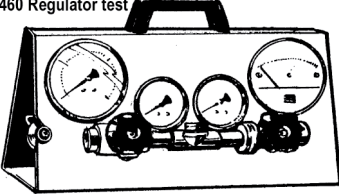
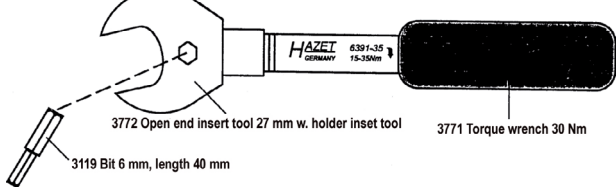
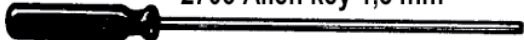
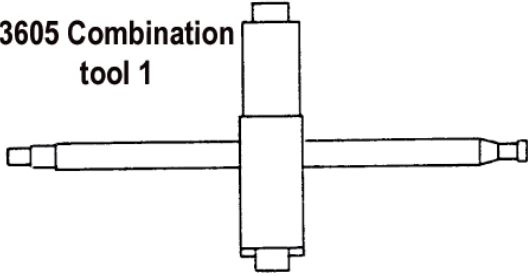
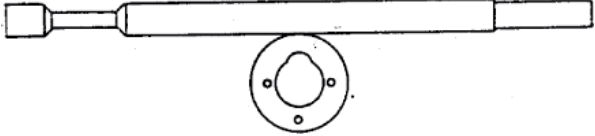
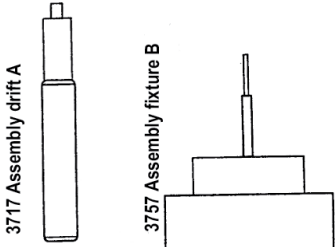
During the exhalation phase, the exhaled air goes out through the exhalation diaphragm on the opposite side of the inhalation diaphragm into the ambient medium. The exhalation diaphragm closes automatically when exhalation stops. Also, the exhalation diaphragm regulates the necessary pressure compensation by closing when the ambient pressure is equal. The special construction of the exhalation section of the regulator has been designed to obtain high capacity with low exhalation effort.

The second stage has a built in purge button, for manual purging.

**TOOLS**

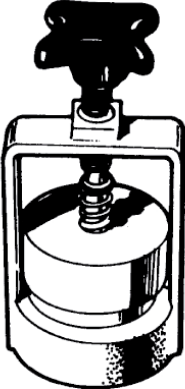

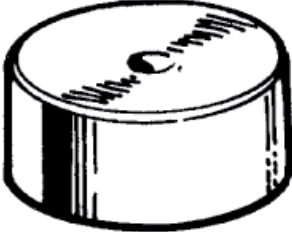

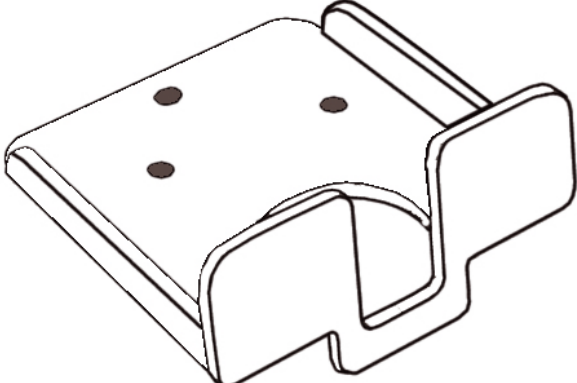
To service Poseidon Cyklon regulators, a mix of standard tools and specific Poseidon special tools are needed. The list below shows what specific Poseidon tools and what standard tools are needed.

**Poseidon specific tools**

Article nمبر.	Description	Picture
2297	O-ring remover	<p><b>2297 O-ring remover</b></p> 
3460	Regulator test	<p>3460 Regulator test</p> 
3773	Torque wrench set	<p>3773 Torque wrench set, incl 3771, 3772, 3119</p>  <p>3772 Open end insert tool 27 mm w. holder inset tool</p> <p>3119 Bit 6 mm, length 40 mm</p> <p>3771 Torque wrench 30 Nm</p>
2706	Allen key 1,5 mm	<p><b>2706 Allen key 1,5 mm</b></p> 
3605	Combination tool 1	<p><b>3605 Combination tool 1</b></p> 
3606	Combination tool 2	<p><b>3606 Combination tool 2</b></p> 
3879	Tool kit	<p>3879 Tool kit first stage</p>  <p>3717 Assembly drift A</p> <p>3757 Assembly fixture B</p>

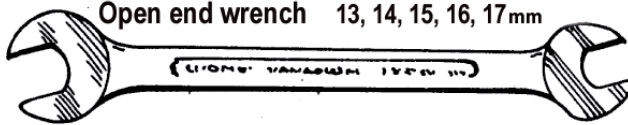

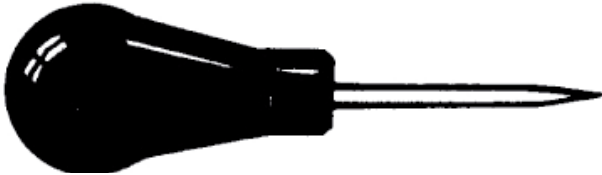

**TOOLS**

Poseidon specific tools continues.

Article nمبر.	Description	Picture
2112	Assembly tool	<p style="text-align: center;"><b>2112 Assembly tool</b></p> 
2299	Drift	<p style="text-align: center;"><b>2299 Drift for LP-valve</b></p> 
3138	Holder for drift	<p style="text-align: center;"><b>3138 Holder for 2299</b></p> 
8516	Regulator lubricant	<p style="text-align: center;"><b>8516 Regulator grease</b></p> 
3397 10	Fixture for first stages	

**TOOLS**

**Standard tools**

Article nمبر.	Description	Picture
	Open end wrenches	 <p>Open end wrench 13, 14, 15, 16, 17mm</p>
	Screwdriver, flat	
	Awl	
	Allen keys, 4, 5, 6 mm	

**CYKLON 5000**

**Art No 3950**

**BREATHING REGULATOR**

Primary pressure.....Max 4351 PSI / 300 BAR  
 Secondary pressure.....Max 167 PSI/ 11,5 BAR  
 Airflow.....Approximately 1050l/min  
 Inhalation resistance at 115 l/min.....Max. 40 mm of water  
 Exhalation resistance.....Max. 20 mm of water  
*The above data apply when measuring at atmospheric pressure*

**FIRST STAGE VALVE**

**Art No 3270, 3720 10**

Description.....Diaphragm-actuated balanced with shear venturi boost. Release pressure approx. 217-247 PSI / 1,5-1,7 MPa / 15-17 bar  
 Connection threads for primary pressure.....G 5/8 -max 4350 PSI /300 bar accord. SS 2600/K and DIN 477/5 or yoke connection accord. SS 2603 and ANSI/CGA VI: 1987  
 Outlet connections:  
 One outlet marked R for second stage (max airflow).....UNF 3/8" - secondary pressure  
 Three outlets marked LP for drysuits, buoyancy compensators, safety second stage etc.....UNF 3/8" -secondary pressure  
 drysuits, buoyancy compensators, Octopus, etc .....UNF 3/8" -secondary pressure  
 One outlet marked HP.....UNF 7/16"-primary pressure  
 One outlet marked S has restricted airflow and therefore is intended only for dry-suit or stabjacket .....Intended for first stage No. 3585 UNF 3/8" -secondary pressure  
 Two outlet marked HP for pressure gauge.....UNF 7/16" -primary pressure

**SECOND STAGE VALVE**

**Art No 1133, 3536, 3354, 3354 M**

Description.....Downstream type, diaphragm actuated. Integral safety valve opens at approximately 203 PSI / 14 bar. Purge button for clearing.

**REGULATOR HOSE**

**Art No 2946**

Length.....28 inch / 70 cm

**TIGHTENING TORQUE**

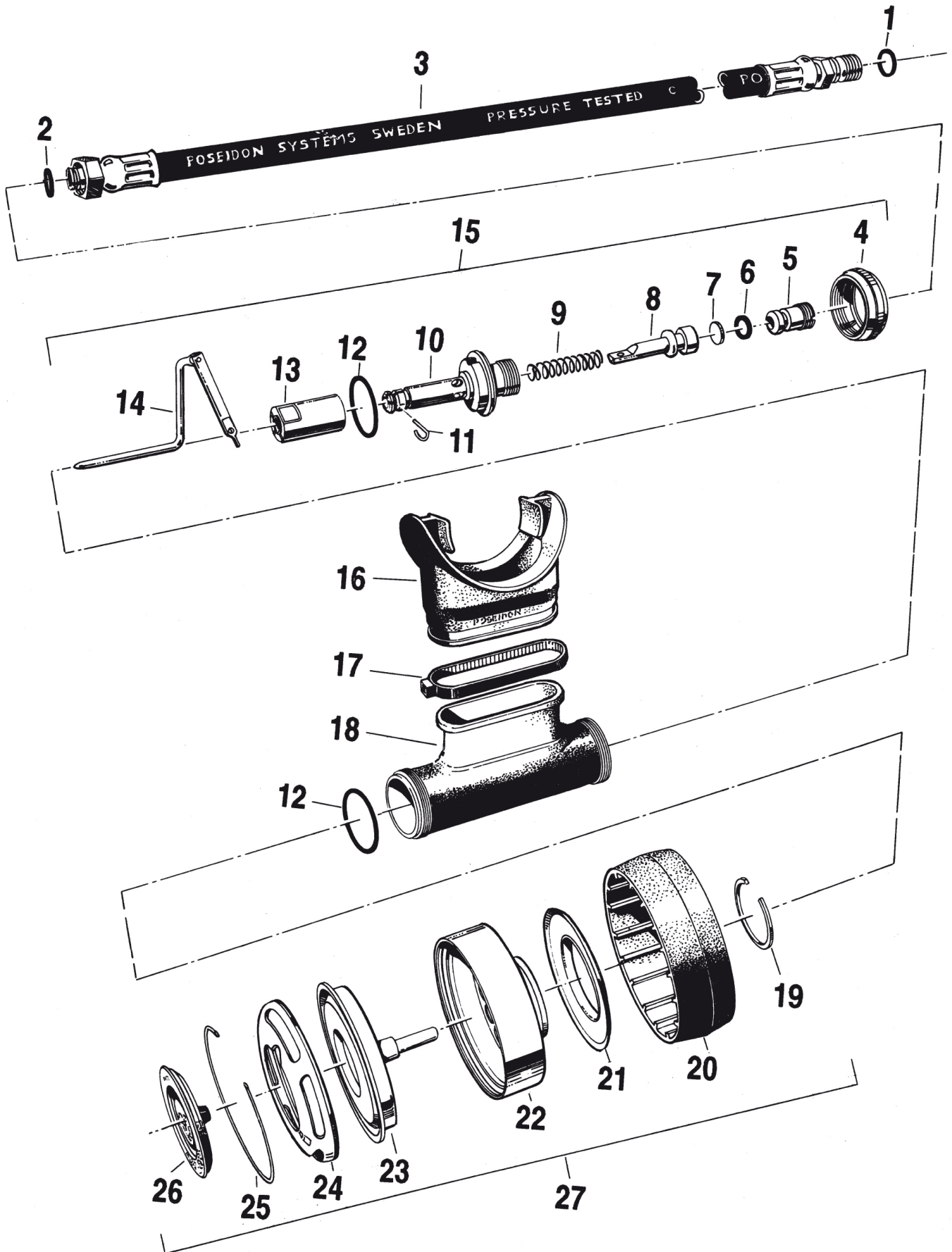
Primary DIN connection.....20-22 lbf.ft / 28-30 Nm  
 Valve cover.....20-22 lbf.ft / 28-30 Nm  
 Connections marked LP-HP.....6 lbf.ft / 8 Nm

**ANTI-FREEZE PROTECTION**

**Art No 1286**

Type .....Rubber cap

Exploded view: 2nd stage 1133, 3354, 3354 M, 3536 - Cyklon 5000



**Parts list: 2nd stage 1133, 3354, 3354 M, 3536 - Cyklon 5000**

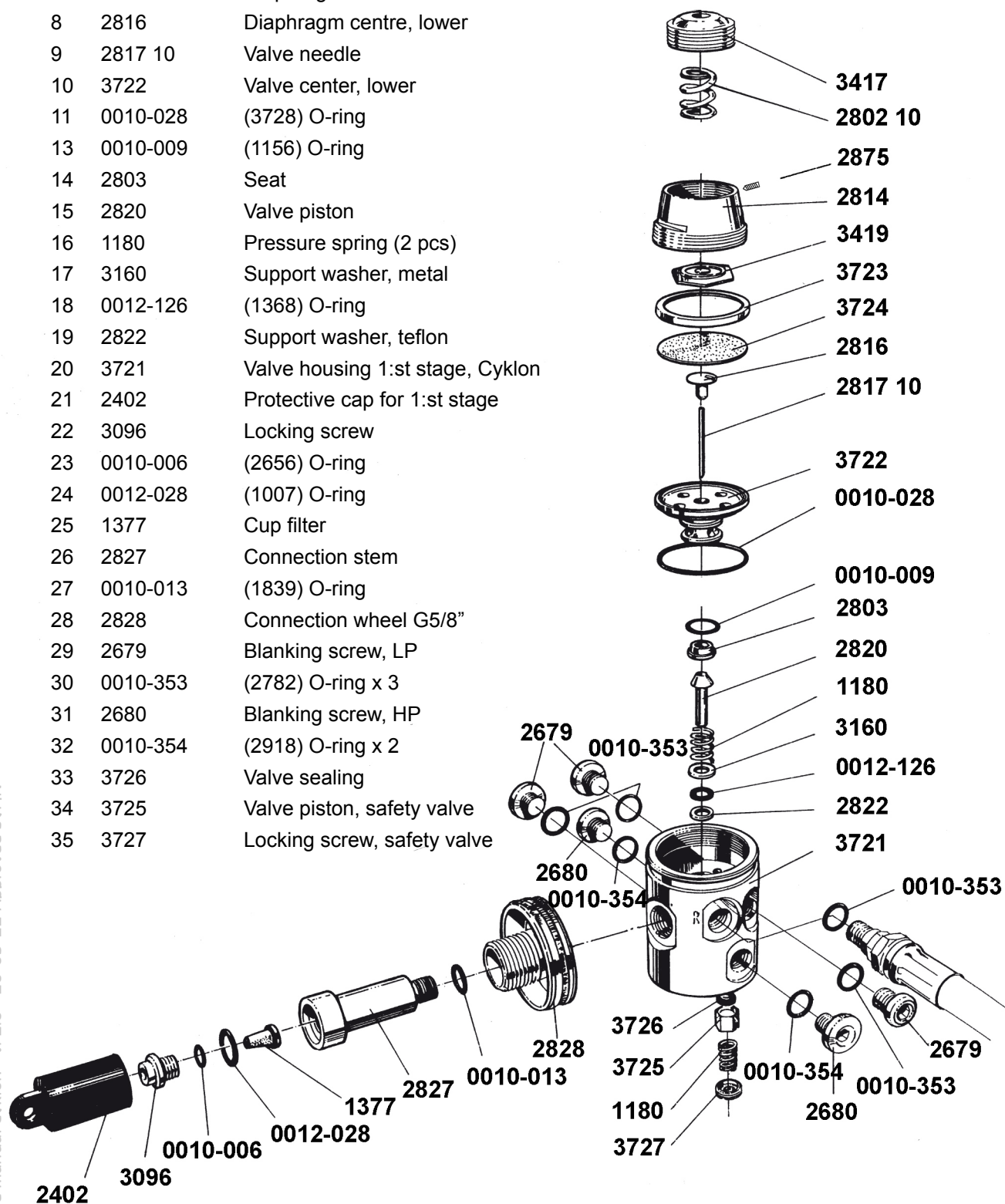
Art. Nnbr.	Description
1	0010-353 (2782) O-ring
2	0010-009 (1156) O-ring
3	2946 LP hose 70 cm Cyklon UNF 3/8"
	2947 LP hose 90 cm Cyklon UNF 3/8"
4	1166 Locking nut
5	1165 Valve seat
6	0010-347 (1164) O-ring
7	1162 Rubber plate
8	2429 Valve piston
9	1157 Pressure spring
10	1163 Valve housing
11	1155 Lever pin
12	0010-025 (1145) O-ring
13	2307 Ejector sleeve
14	1151 Control lever
15	1150 LP valve, complete (5-14)
16	3202 Mouthpiece**
17	1167 Locking strap
18	3200 10 Mouthpiece tube, black w. logo
	3200 30 Mouthpiece tube, yellow w. logo
	1146 Mouthpiece tube, metal
19	1144 Locking ring
20	1999 10 Cover for exhale diaphragm, black
	1999 30 Cover for exhale diaphragm, Yellow
21	2579 Exhalation diaphragm, Silicone
22	1141 membrane housing
23	2577 Inhalation diaphragm
24	2001 Inhalation cover
	2001 77 Inhalation cover, Cyklon Metal**
25	1140 Locking ring
26	2004 Purge button
27	2000 10 Diaphragm housing compl. Black (19-26)
	2000 30 Diaphragm housing compl. Yellow (19-26)
	2000 77 Diaphragm housing compl. Metal (19-26)**

\*\*No longer available as a spare part

**Exploded view: 1st stage 3720 - Cyklon 5000**

Art. Nbr.	Description
-----------	-------------

1	3417	Adjustmen screw
2	2802 10	Adjustment spring
3	2875	Locking screw
4	2814	Cover for valve housing
5	3419	Upper diaphragm center
6	3723	Valve center, upper
7	3724	Diaphragm
8	2816	Diaphragm centre, lower
9	2817 10	Valve needle
10	3722	Valve center, lower
11	0010-028	(3728) O-ring
13	0010-009	(1156) O-ring
14	2803	Seat
15	2820	Valve piston
16	1180	Pressure spring (2 pcs)
17	3160	Support washer, metal
18	0012-126	(1368) O-ring
19	2822	Support washer, teflon
20	3721	Valve housing 1:st stage, Cyklon
21	2402	Protective cap for 1:st stage
22	3096	Locking screw
23	0010-006	(2656) O-ring
24	0012-028	(1007) O-ring
25	1377	Cup filter
26	2827	Connection stem
27	0010-013	(1839) O-ring
28	2828	Connection wheel G5/8"
29	2679	Blanking screw, LP
30	0010-353	(2782) O-ring x 3
31	2680	Blanking screw, HP
32	0010-354	(2918) O-ring x 2
33	3726	Valve sealing
34	3725	Valve piston, safety valve
35	3727	Locking screw, safety valve



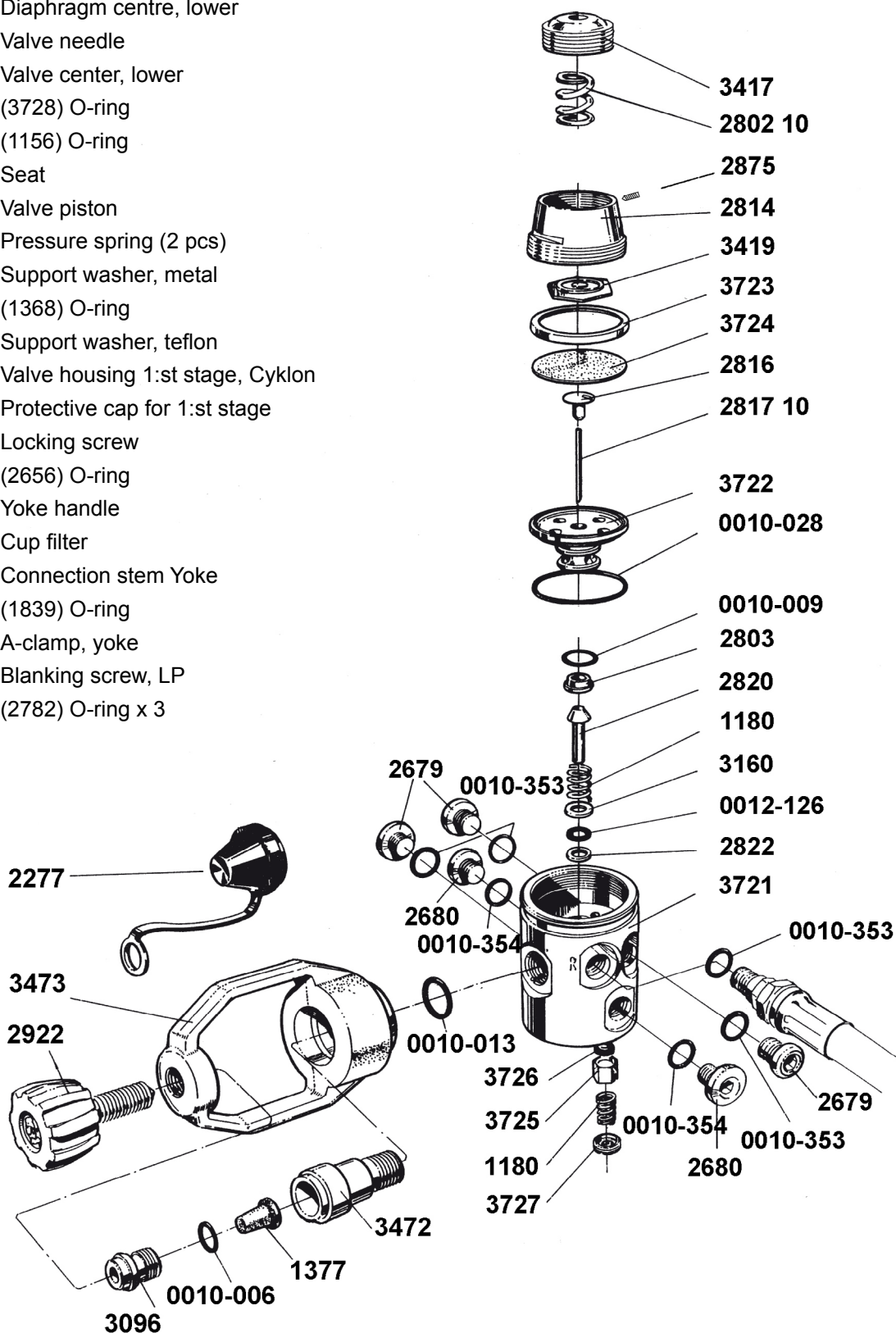
**Exploded view: 1st stage 3720 10 - Cyklon 5000**

Art. Nbr.	Description
-----------	-------------

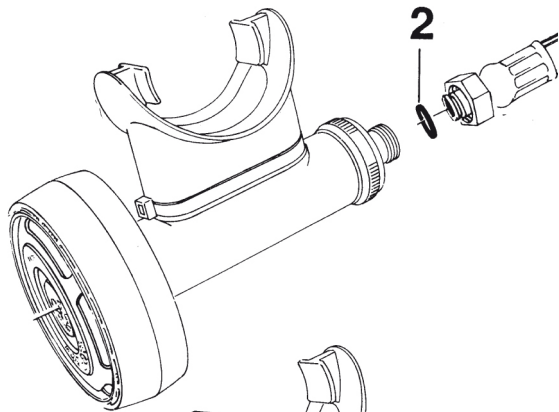
Art. Nbr.	Description
-----------	-------------

1	3417	Adjustmen screw
2	2802 10	Adjustment spring
3	2875	Locking screw
4	2814	Cover for valve housing
5	3419	Upper diaphragm center
6	3723	Valve center, upper
7	3724	Diaphragm
8	2816	Diaphragm centre, lower
9	2817 10	Valve needle
10	3722	Valve center, lower
11	0010-028	(3728) O-ring
13	0010-009	(1156) O-ring
14	2803	Seat
15	2820	Valve piston
16	1180	Pressure spring (2 pcs)
17	3160	Support washer, metal
18	0012-126	(1368) O-ring
19	2822	Support washer, teflon
20	3721	Valve housing 1:st stage, Cyklon
21	2402	Protective cap for 1:st stage
22	3096	Locking screw
23	0010-006	(2656) O-ring
24	2922	Yoke handle
25	1377	Cup filter
26	3472	Connection stem Yoke
27	0010-013	(1839) O-ring
28	3473	A-clamp, yoke
29	2679	Blanking screw, LP
30	0010-353	(2782) O-ring x 3

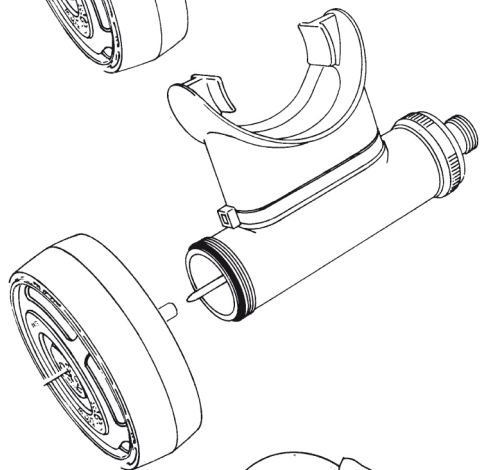
31	2680	Blanking screw, HP
32	0010-354	(2918) O-ring x 2
33	3726	Valve sealing
34	3725	Valve piston, safety valve
35	3727	Locking screw, safety valve
36	2277	Protective cap, yoke



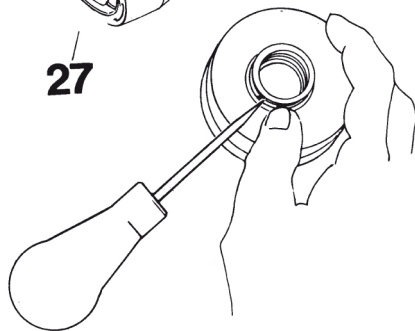
**DISASSEMBLY - 2nd STAGE 1133, 3224, 3354, 3354 M, 3536**



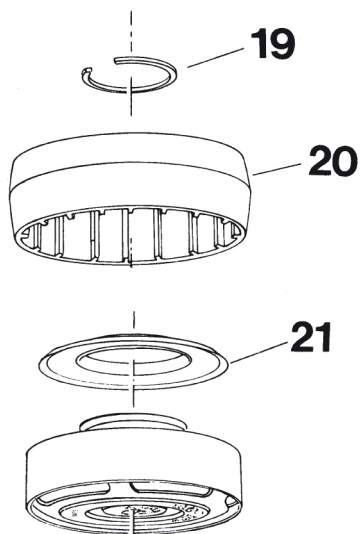
Disconnect the low pressure hose from the second stage with a 17 mm. open wrench. Remove the oring (2) with an o-rings remover.



Remove the diaphragm housing (27) from the mouth piece tube.

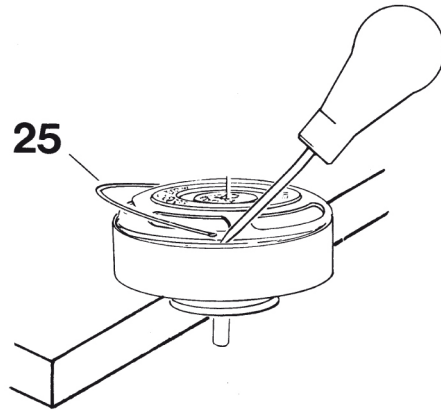


To release the exhalation cover, remove the locking ring with a small screwdriver.

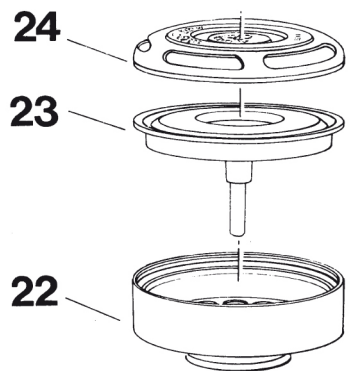


Remove the exhalation diaphragm (21).

**DISASSEMBLY - 2nd STAGE 1133, 3224, 3354, 3354 M, 3536**

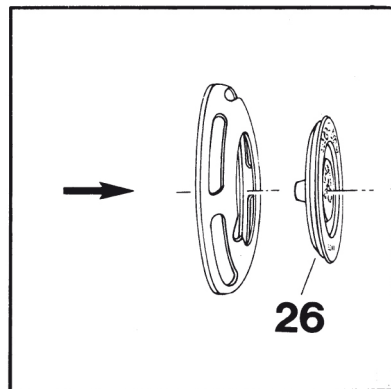


Remove the locking ring (25) with an awl. Support the diaphragm house, see diagram. Make sure that the sealing surface for the exhalation diaphragm is not damaged.

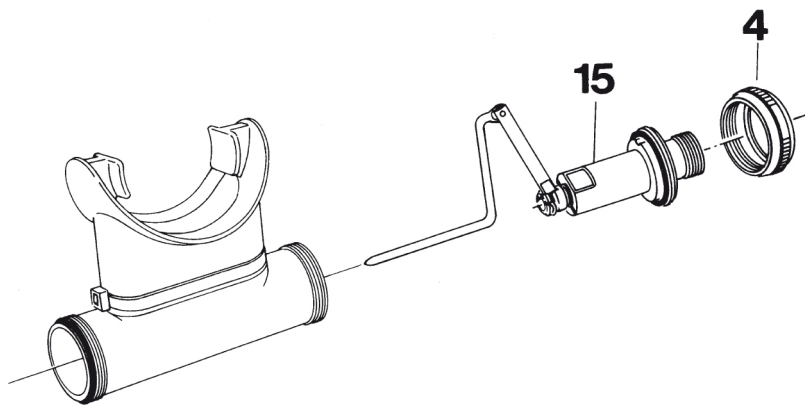


Remove the cover (24) and the inhalation diaphragm (23).

**Removal:** Push out the purge button

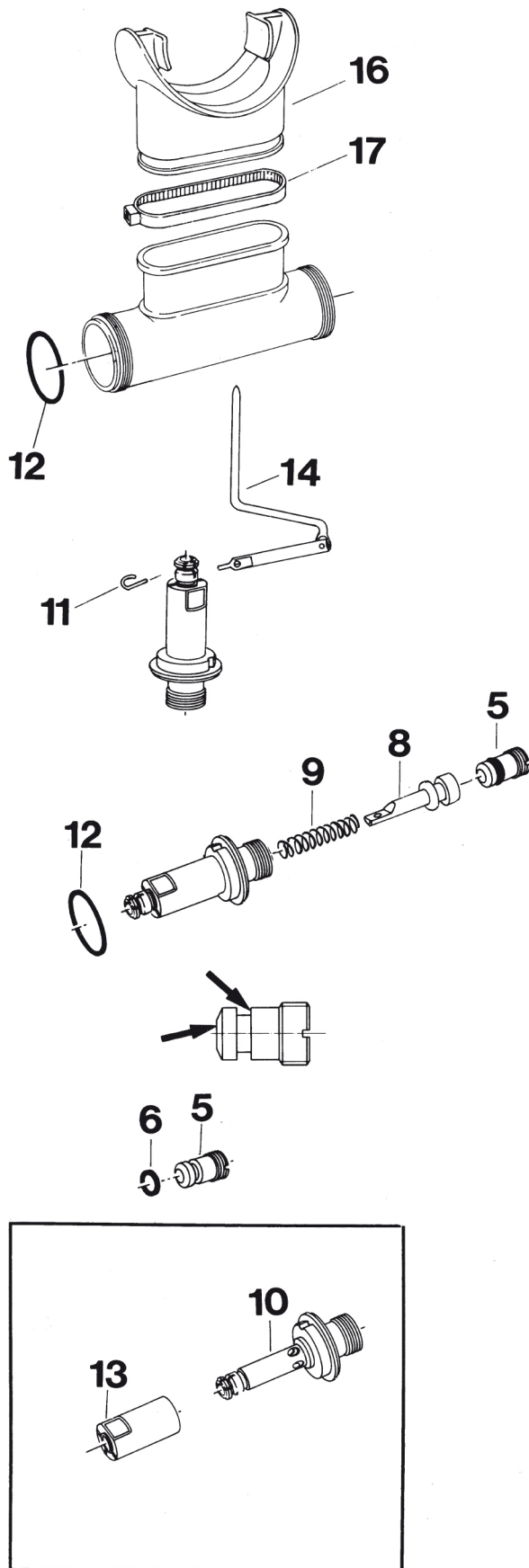


**IMPORTANT!** The purge button (26) should not be removed if it is undamaged



Remove the connecting ring (4) and the low pressure valve (15).

**DISASSEMBLY - 2nd STAGE 1133, 3224, 3354, 3354 M, 3536**



Cut off the locking strap (17) with cutting pliers.

Remove the mouth-piece (16) and the o-ring (12).

Remove the lever pin (11).

Remove the operating device (14).

Remove the o-ring (12).

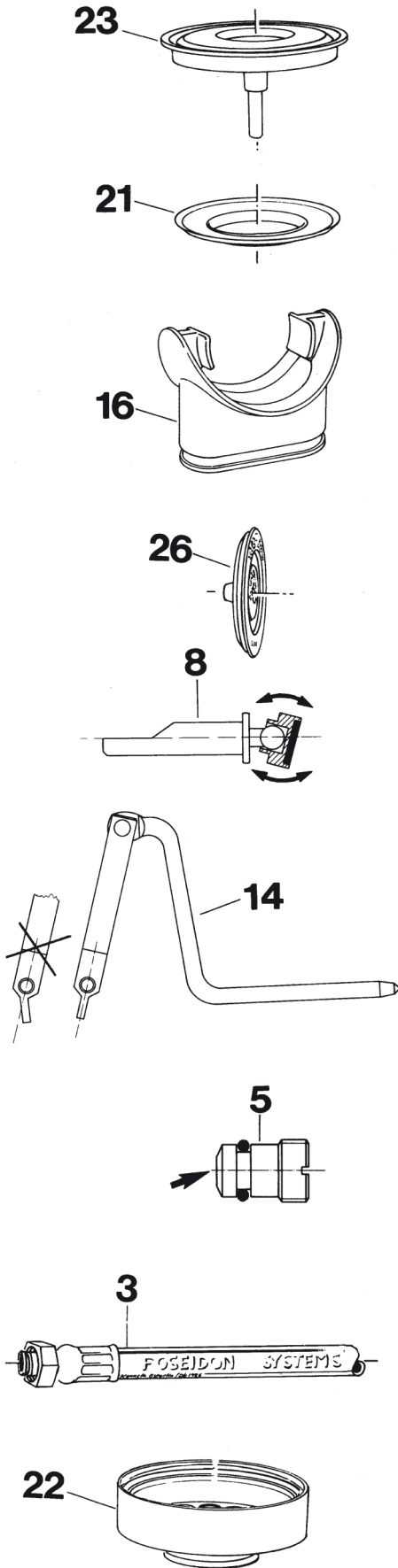
Unscrew the valve seat (5) with an 8.5 mm screwdriver. **NOTE!** the valve seat has a very fragile sealing edge; put the seat with the edge upwards.

Remove the valve piston (8) and the spring (9). In order to protect the piston bond, the old rubber plate should be kept until the new shall be fixed.

Remove the o-ring (6) with an oring remover. Make sure the sealing surfaces are not damaged.

**IMPORTANT!** The ejector sleeve should not be removed if it is functional and undamaged. Check to see that the sleeve can be rotated to any position, but that it does not rotate freely.

**DISASSEMBLY - 2nd STAGE 1133, 3224, 3354, 3354 M, 3536**



When servicing the regulator the following parts should be replaced:

- All o-rings, including the one in the low-pressure hose.
- Rubber plate.

**CLEANING:**

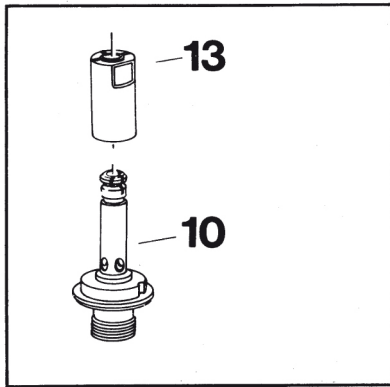
If corrosion or salt deposits occurs, place all metal parts in an ultra-sonic washer or in 15% Hydrochloric acid solution for about 10 minutes. Then, rinse the parts thoroughly and blow dry with air. The synthetic parts in the second stage must not be treated with solvent. They shall be cleaned in freshwater only.

*\*Hempocid = Acid Liquid Detergent Containing phosphoric acid (5 - 10%) and bactericid for disinfectant cleaning.*

**BEFORE INSTALLING CHECK THE FOLLOWING:**

- Diaphragms (21) (23). Check the sealing surface of the diaphragm to see if it is even and uncracked.
- The mouth-piece (16). Make sure that there are no cracks.
- The purge button (26). Make sure there are no cracks.
- Valve piston (8). Ensure that the ball joint is working correctly by manipulating and rotating the joint.
- Operating device (14). Make sure that the joint articulates smoothly. Important: The operating device must be replaced, if the lever tab is bent. The tab should not be straightened, as this would weaken it and make subsequent failure possible.
- Valve seat (5). Check to make sure the sealing surfaces are undamaged.
- Low pressure hose (3). Check to make sure that the sealing surface is undamaged, and that the rubber does not show any flaws.
- Diaphragm housing (22). Make sure that the sealing surfaces are free from defects and that the track for the inhalation diaphragm is absolutely clean and free from lubricant.

**ASSEMBLY - 2nd STAGE 1133, 3224, 3354, 3354 M, 3536**




**Assembly:**

*This step is only performed if the ejector sleeve has been removed.*

Install the ejector sleeve (13) on the valve housing (10). Press the sleeve into the low pressure valve so the slits of the sleeve are exceedingly small.

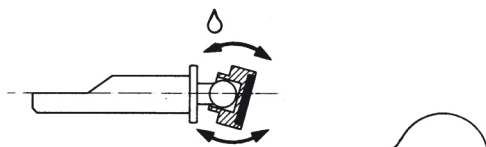
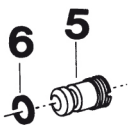
**Lubricate:**

Grease: 

Oil: 



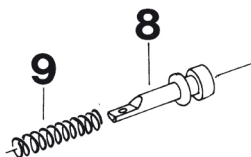
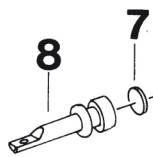
Install the o-ring (6) on the valve seat (5). Make sure that the sealing surface is not damaged.



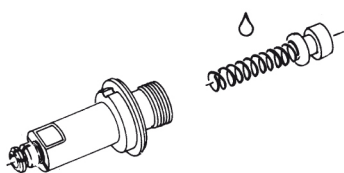
Lubricate the ball joint. Tilt the position head according to the figure to ensure that it rotates and articulates smoothly.



Remove the rubber plate (7) with an awl and make sure the sealings surface on the valve is clean. Install the new rubber plate.

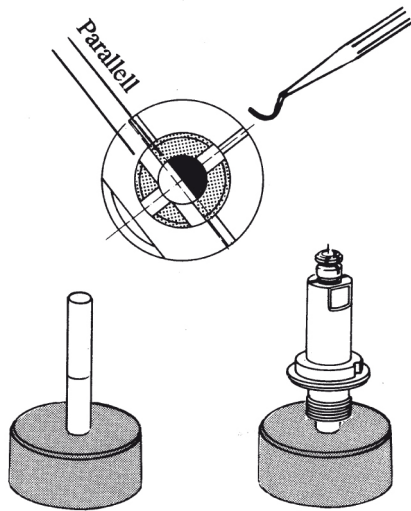


Put the spring (9) on the valve piston (8). Lubricate the spring

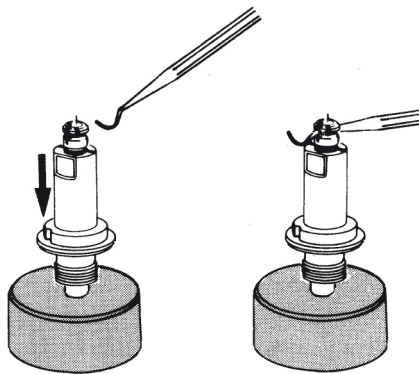


Install the valve piston/spring in the valve housing with the flat part of the valve piston upwards.

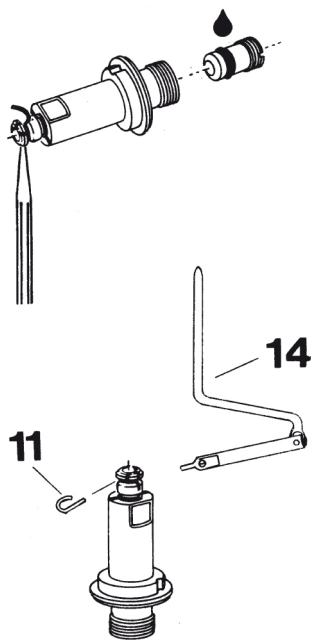
**ASSEMBLY - 2nd STAGE 1133, 3224, 3354, 3354 M, 3536**



Place the valve housing on a drift seated on a block. Press the valve housing down, compressing the spring. Keep the flat part of the valve piston parallel with the horizontal slot in the end of the valve housing. Move the valve piston up and down a few times to check for freedom of movement.



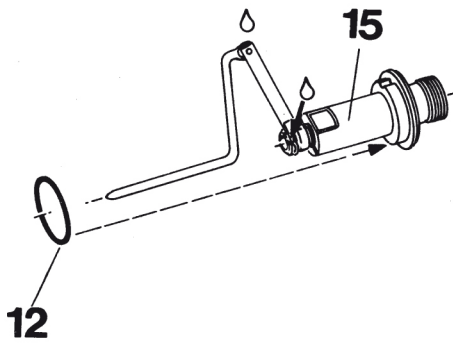
Press the valve housing down and slide an o-ring remover through the hole in the valve piston.



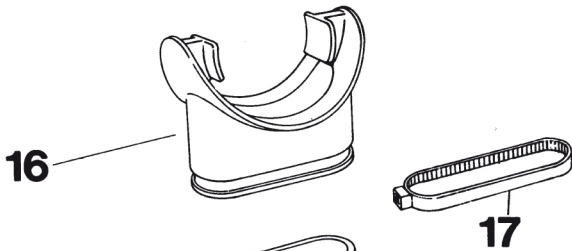
Lubricate the o-ring and the thread of the valve seat. Screw in the valve seat with an 8.5 mm screw driver until the o-ring remover comes loose.

Install the operating device (14). Insert the lever pin (11) through the slot, engaging the hole in the operating device. Rotate the lever pin 90 degrees to lock it in place.

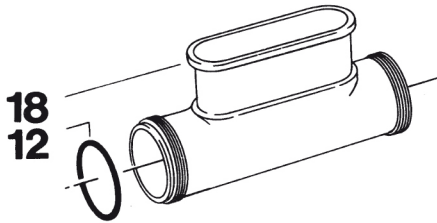
**ASSEMBLY - 2nd STAGE 1133, 3224, 3354, 3354 M, 3536**



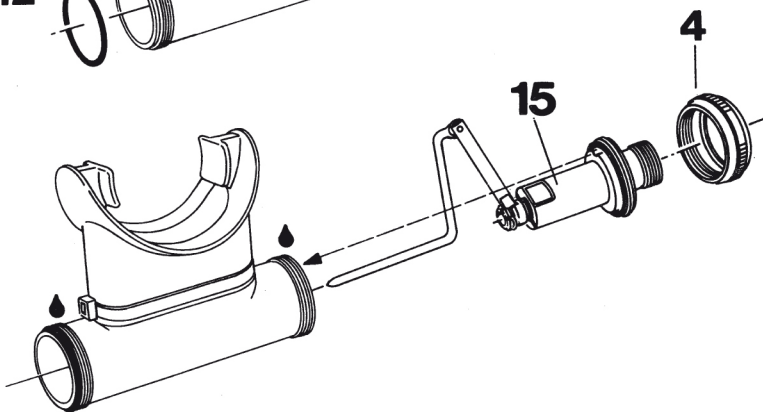
Install the o-ring (12). Lubricate. See diagram.



Install the mouth piece (16) and the plastic band (17). Tighten and cut off plasticband with a plier.

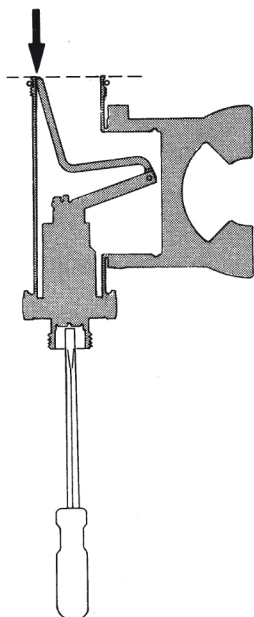


Install the o-ring (12)



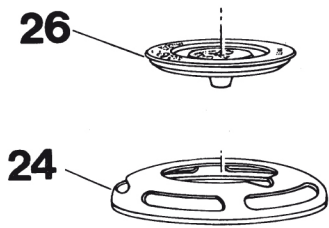
Lubricate the threads on the mouth piece

Install the low pressure valve (15) in the mouth piece tube. Set the indent notch at the top of the valve housing against the key at the top of the mouth piece tube. Screw on the connecting ring (4).

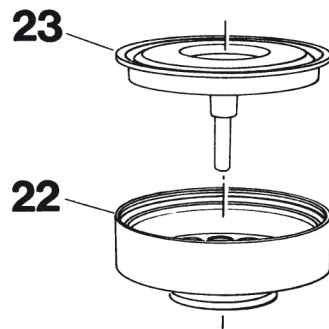


Screw the valve seat down until the highest part of the operating device is even with the level of the opening of the mouth piece tube. Hold the second stage valve vertically. See fig.

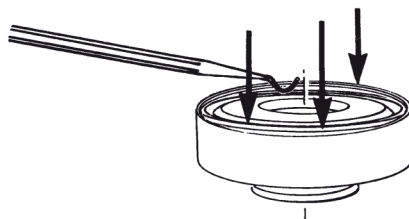
**ASSEMBLY - 2nd STAGE 1133, 3224, 3354, 3354 M, 3536**



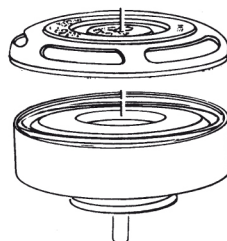
Install the purge button (26) in the cover (24). Screw the button in the cover-cavity



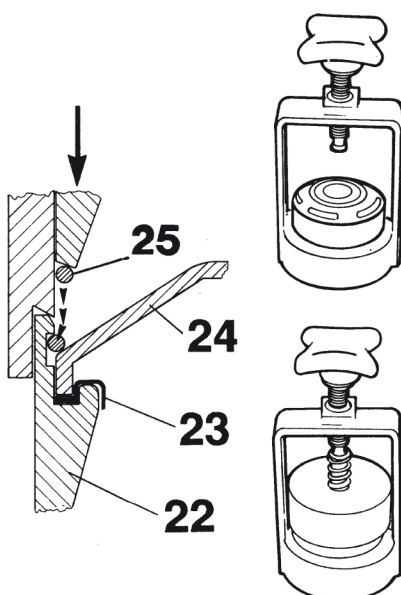
Install the inhalation diaphragm (23) on the diaphragm housing(22).



Seat the lip on the diaphragm into the recess on the inner rim of the diaphragm housing. Use an o-ring remover or other blunt pointed instrument.



Set the inhalation cover (24) on the diaphragm housing over the diaphragm.



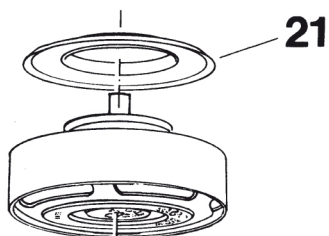
Place the diaphragm housing complete with diaphragm and cover into the frame of the assembly tool.

Insert the locking ring (25) into the upper groove of the press of the assembly tool. See diagram

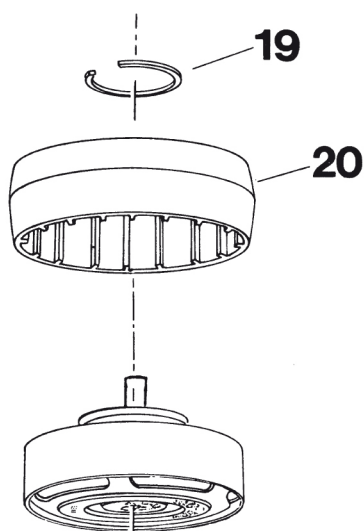
Place the press on top on the diaphragm housing.

Turn the knob until you hear or feel a slight click. Continue turning until you encounter resistance, then back off the knob to release the housing.

Check the locking ring placement to make sure that it has completely entered the groove.

**ASSEMBLY - 2nd STAGE 1133, 3224, 3354, 3354 M, 3536**

Install the exhalation diaphragm (21) on the diaphragm housing. Make sure that the diaphragm is laying flat on the diaphragm housing.

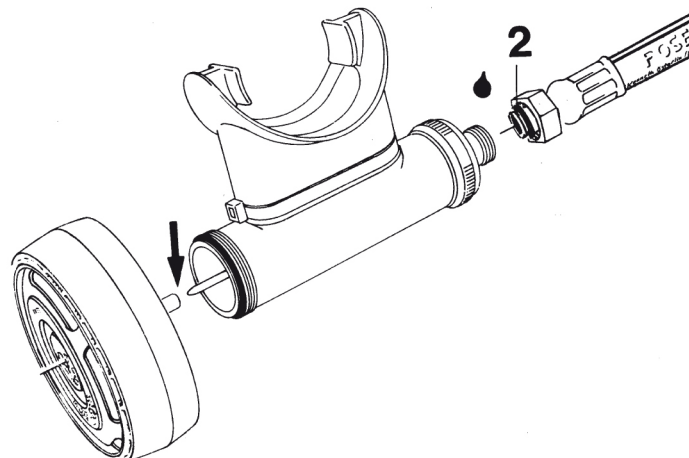


Install exhalation diaphragm cover (20) and locking ring (19).

Install the diaphragm housing on the mouthpiece tube. Be sure to slip the operating device into the diaphragm guide sleeve.

Checking the second stage for leaks: Place the mouth piece against your lips the low pressure hose correction with your thumb and inhale lightly. This will create a partial vacuum inside the second stage. If the pressure does not equalize in 5 seconds the second stage leaks.

See chapter Fault-tracing scheme.



Install the o-ring (2) on the LP hose and lubricate

Screw on the LP-hose. Do not tighten the connecting ring until after the function test.

**ADJUSTMENT - 2nd STAGE 1133, 3224, 3354, 3354 M, 3536**

Open the LP valve. Check the secondary pressure. It should be around 11.5 bar (166 psi). Max tank pressure should be used.

Check to make sure that the clearance between the control unit and the low pressure valve is approximately 1mm. See ill. A. If the clearance is too small, do not seal the second stage valve. If the clearance is too large, reduce the flow of air and the inhalation resistance will increase.

**Adjustment of the clearance:**

Close the LP valve, and empty the regulator completely by means of the purge button.

Unscrew and remove the low pressure hose from the second stage valve.

If the clearance is too small, screw the valve seat inwards (clockwise) using an 8.5 mm screwdriver. If the clearance is too large, screw the valve seat outwards (counterclockwise). NOTE that the adjustment torque is very sensitive, so you should screw carefully. The clearance can be checked only when the secondary pressure is around 11.5 bar. (166 psi)

Fit the hose and open the LP valve. Check the clearance once again.

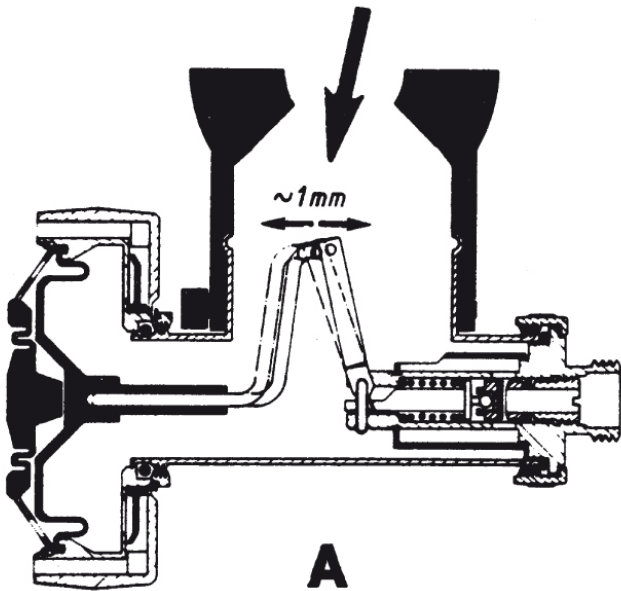
Close the LP valve.

**Adjustment of ejector sleeve:**

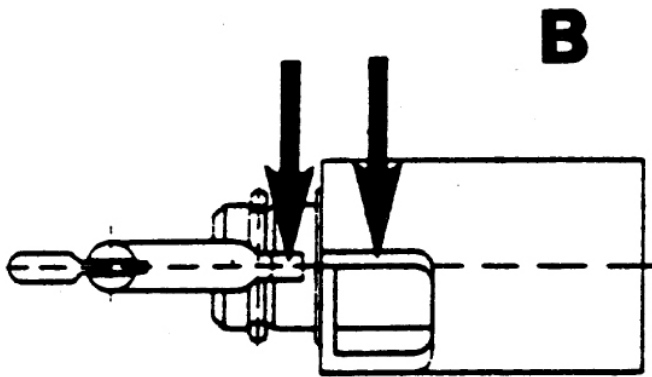
Open the HP valve.

Turn the ejector sleeve using a 3.5 mm screwdriver as shown in ill. B so that the edge of the hole is opposite the slit in the low pressure valve. See ill. C. Hold the second stage valve upright, press the button so that the valve will give a maximum flow of air, and then release the button. If the valve continues to blow itself, stop the air flow using your hand. Turn the ejector sleeve in the direction of the arrow, see ill. B, and make a new test using the button. The opening of the hole should be turned to face upwards as much as possible, that is, close to the limit where the valve blows itself. The regulator will then give a maximum flow of air and the inhalation resistance is minimal.

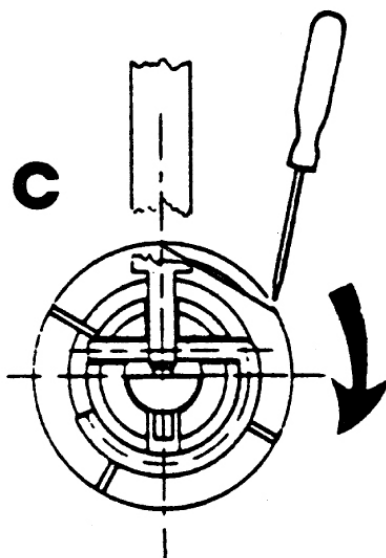
Close the HP valve and purge fully with the purge button. Tighten the nut moderately.



**A**



**B**

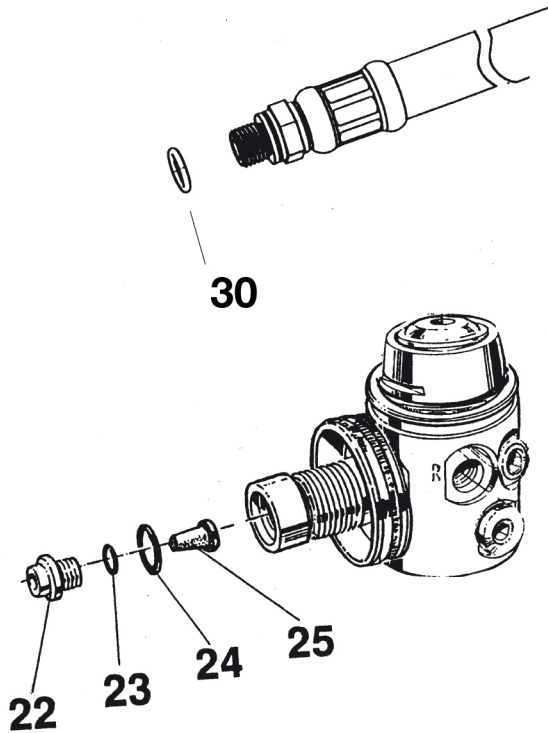


**C**

**DISASSEMBLY - 1st STAGE 3720, 3720 10**

Disconnect the low pressure hose from the first stage valve using a 13 mm box spanner.

Remove the o-ring (30) from the low pressure hose with the oring remover.



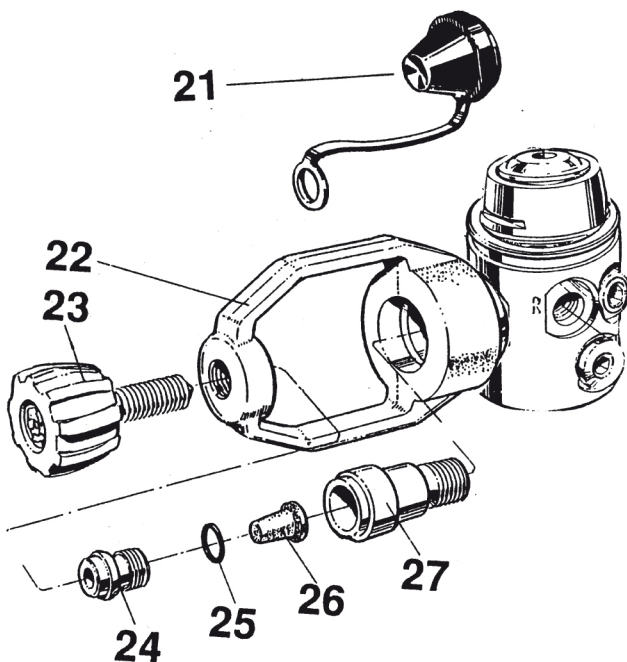
**First stage valve with G 5/8" (3720):**

Remove the locking screw (22) with a 6 mm Allen wrench. Remove the o-ring (24) and the cup-filter (25) with o-ring (23).

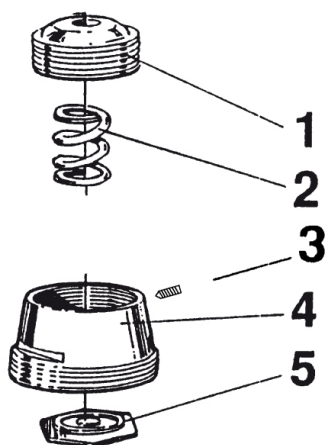
**First stage valve with Yoke (3720 10):**

Remove the knob (23) and the protective cap (21). Remove the locking screw (24) with a 6 mm Allen wrench. Remove the cup filter (26) and the o-ring (25).

Place the first stage valve with the secondary side facing upwards in a fixture.



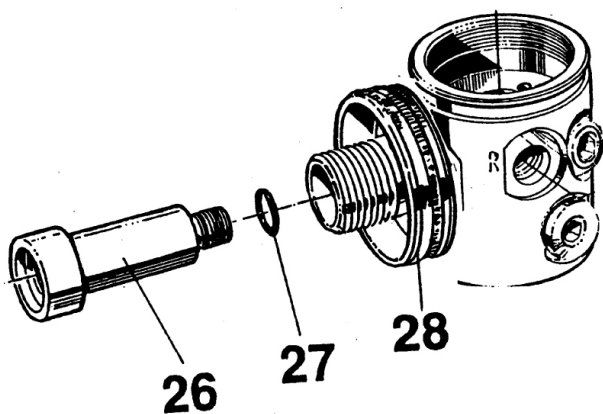
**DISASSEMBLY - 1st STAGE 3720, 3720 10**



**Removal:**

Remove the stop screw (3) with a 1,5 mm Allen wrench. Remove the pressure adjusting screw (1) with a 6 mm Allen wrench and remove the spring (2). In older model - two springs.

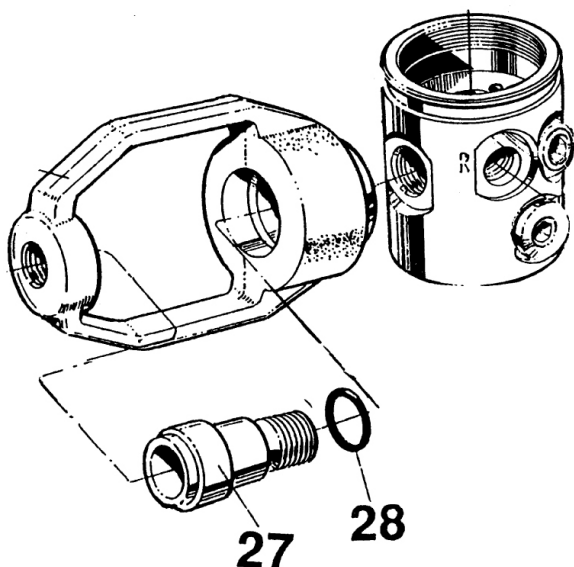
Remove the cover (4) using a 27 mm crowsfoot and the upper diaphragm center (5).



**First stage valve with G 5/8" (3720):**

Remove the connection (26) and the wheel (28) with a 6 mm Allen wrench.

Remove the o-ring (27) with an o-ring remover. Make sure the sealing surfaces are not damaged.

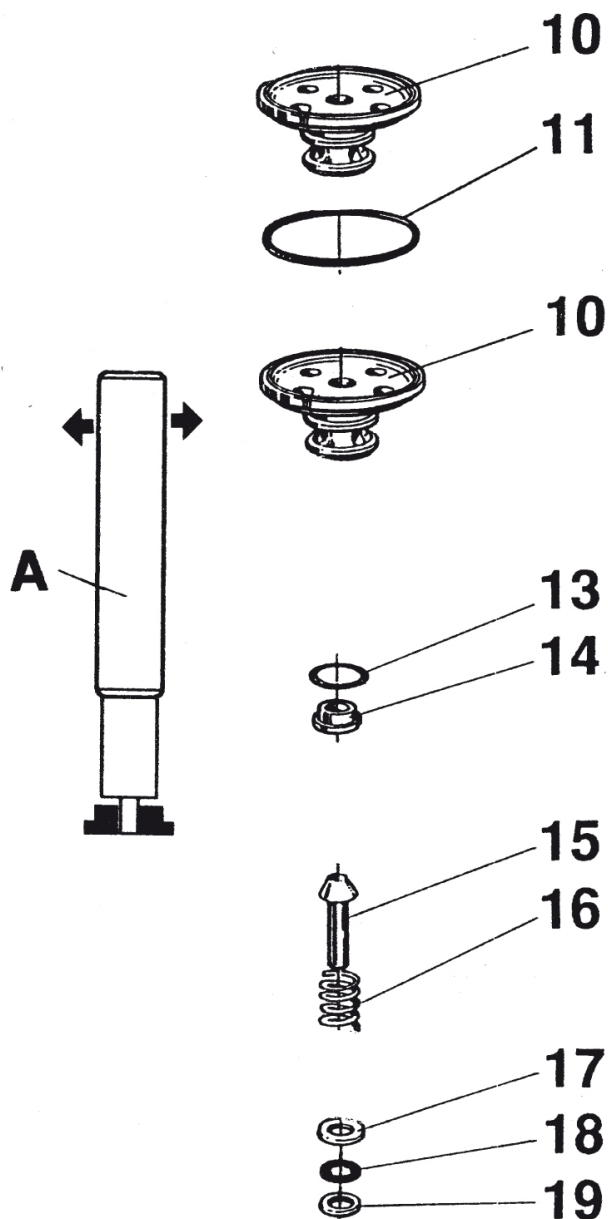


**First stage valve with Yoke (3720 10):**

Remove the connection (27) and the yoke (22) with a 6 mm Allen wrench.

Remove the o-ring (28) with an o-ring remover. Make sure the sealing surfaces are not damaged.

**DISASSEMBLY - 1st STAGE 3720, 3720 10**



Remove the valve centre, upper (6) and the diaphragm (7).

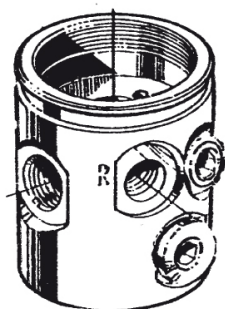
Remove the diaphragm centre, lower (8) and the valve needle (9).

Remove the valve centre, lower (10) and the o-ring (11) with an oring remover. Make sure the sealing surfaces are not damaged.

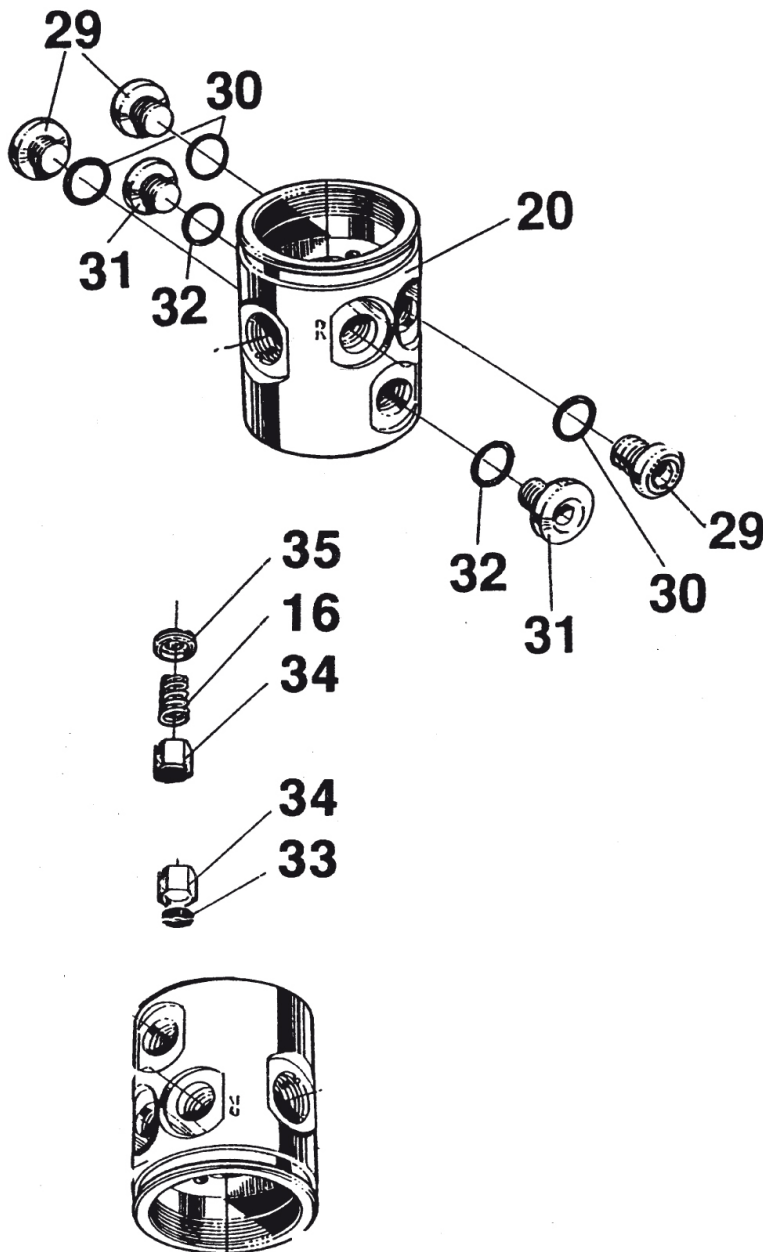
Remove the valve seat (14) and the o-ring (13) with the assembly drift A.

Remove the valve piston (15) and the pressure spring (16).

Remove the washer, steel (17), the o-ring (18) and the washer, teflon (19) with an o-ring remover. Make sure the surfaces, are not damaged.



**DISASSEMBLY - 1st STAGE 3720, 3720 10**



Remove the blind screw (29 and 31) with a 5 mm Allen wrench.

Remove the o-rings (30 and 32) with an o-ring remover. Make sure the sealing surfaces are not damaged.

Remove the locking screw (35) with a 4mm Allen wrench. Remove the pressure spring (16) and the valve piston (34).

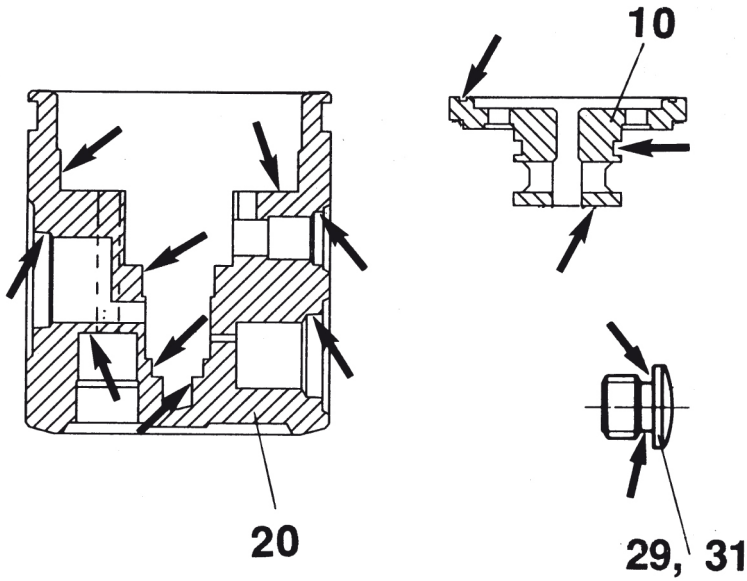
Remove the valve sealing (33) from the valve piston (34) with an o-ring remover.

**Cleaning:**

If corrosion or salt deposits occurs, place all metal parts in an ultra sonic washer or in a 15% Hydrochloric acid solution for about 10 minutes. Then rinse them thoroughly and blow dry with air. The synthetic parts in the second stage must not be treated with solvent. They shall be cleaned in freshwater only.

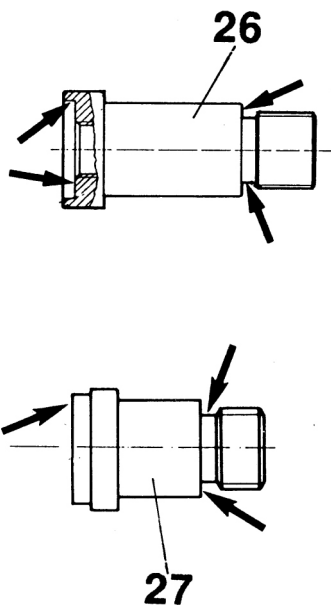
*\*Hempocid = Acid Liquid Detergent Containing phosphoric acid (5-10%) and bactericid for disinfectant cleaning.*

**DISASSEMBLY - 1st STAGE 3720, 3720 10**



**When servicing the regulator the following parts should be replaced:**

1. All o-rings
2. Diaphragm
3. Cup filter
4. Valve seat
5. Washer
6. Valve sealing

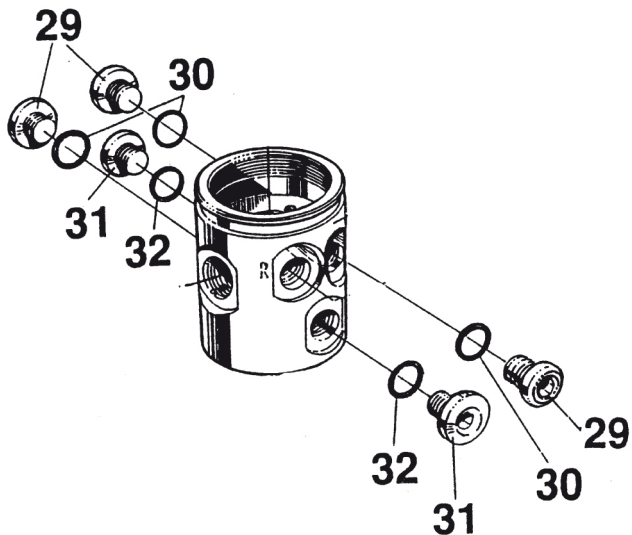


**Checking:**

Check the following parts to make sure the sealing surfaces are undamaged. Also check that the threads are not damaged.

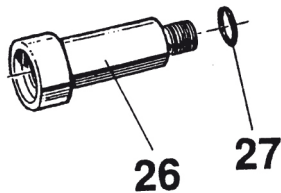
1. The blind screws (29 and 31)
2. The valve housing (20)
3. Valve centre (10)
4. The connections (26 or 27)

**ASSEMBLY - 1st STAGE 3720, 3720 10**



Install the o-rings(30 and 32) on the blind screws (29 and 31). Lubricate the outlets.

Screw the blind screws in the LP-HP outlets. Use a 5 mm Allen wrench and tighten up by hand.

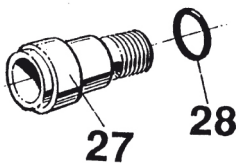
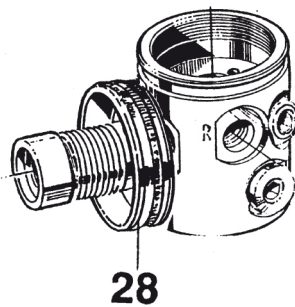


**First stage valve with G 5/8" (3720):**

Install the o-ring (27) on the connection (26). Lubricate the o-ring and the thread.

Install the wheel (28) on the connection.

Screw the wheel connection assembly into the valve housing assembly with a 6 mm Allen wrench.

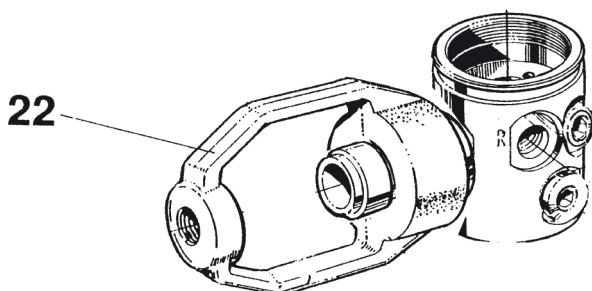


**First stage valve with Yoke (3720 10):**

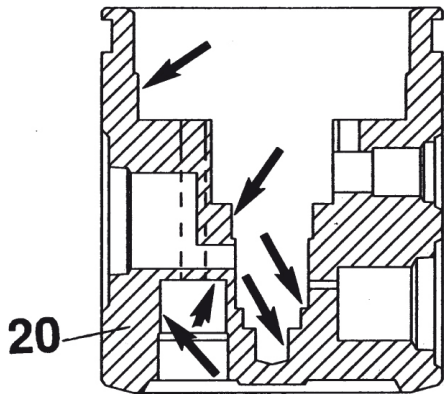
Install the o-ring (28) on the connection (27). Lubricate the o-ring and the thread.

Install the yoke (22) on the connection.

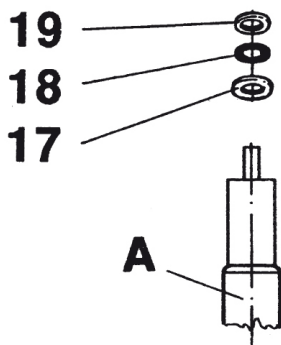
Screw the wheel connection assembly into the valve housing assembly with a 6 mm Allen wrench.



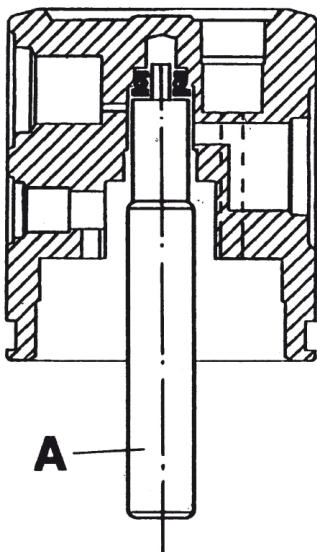
**ASSEMBLY - 1st STAGE 3720, 3720 10**



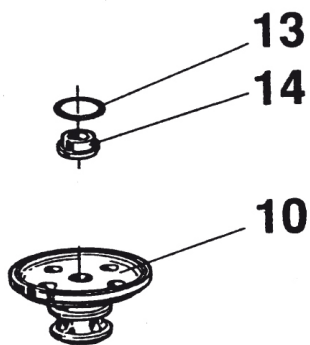
Lubricate the valve housing (20).



Place on the assembly drift A:  
 - washer, steel (17)  
 - O-ring (18)  
 - washer, teflon (19)

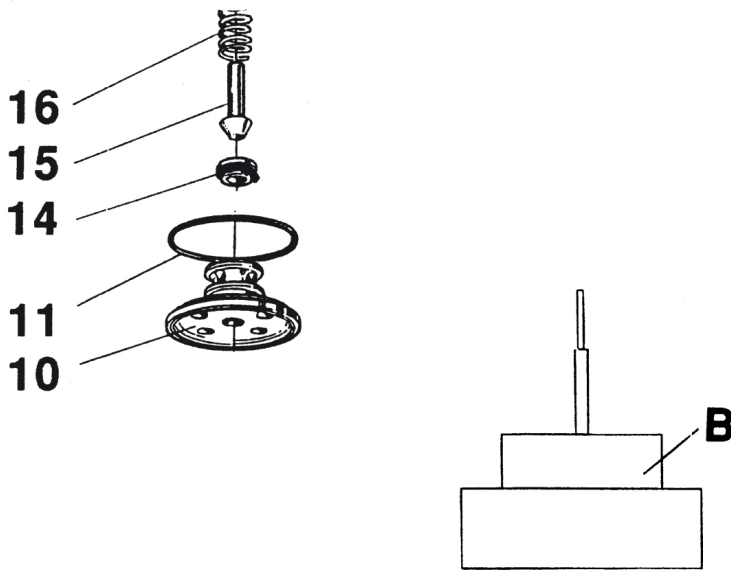


Install the valve housing. Lubricate the washers and the o-ring.



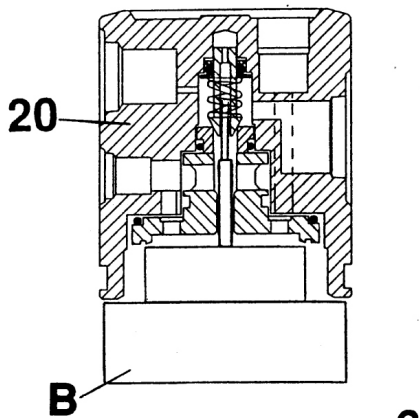
Install the o-ring (13) on the valve seat (14).

**ASSEMBLY - 1st STAGE 3720, 3720 10**



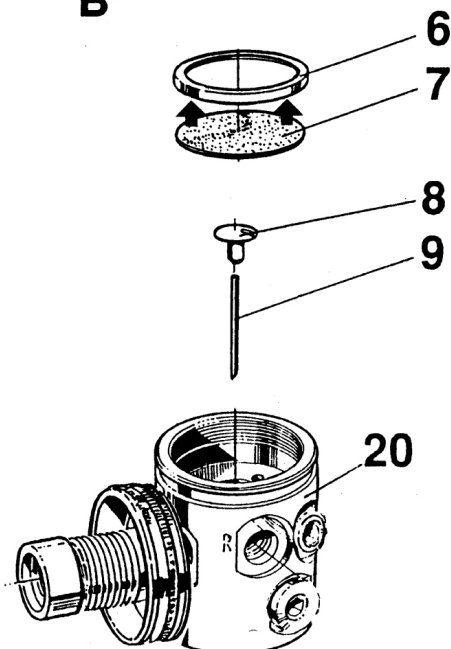
Place on the assembly fixture B:

- valve centre, lower (10)
- o-ring (1 1),lubricate
- valve seat (14) with o-ring downwards
- valve piston (15),lubricate, and pressure spring (16) on valve piston.



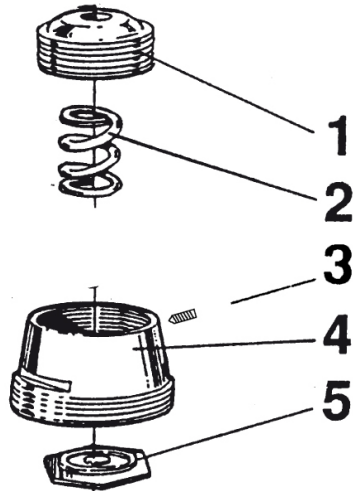
Install the valve housing (20).

Turn the valve housing (20) with the secondary side upwards.



Install the valve needle (9).

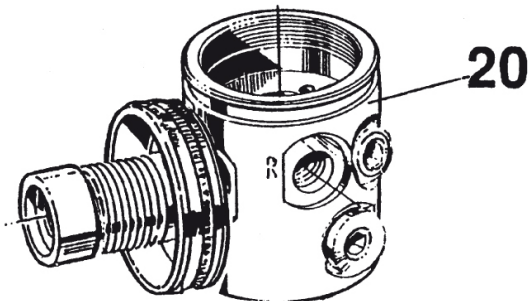
**ASSEMBLY - 1st STAGE 3720, 3720 10**



Install the diaphragm centre, upper (5) in the valve housing (20).

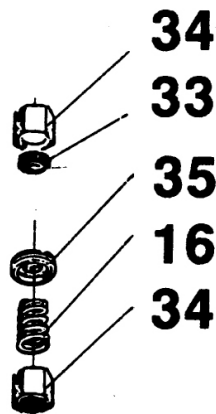
Grease the thread on the cover (4) and tighten up by hand.

Check to make sure that the parts are correctly installed by pressing at the valve centre. It should move approximately 2 mm (1/16").

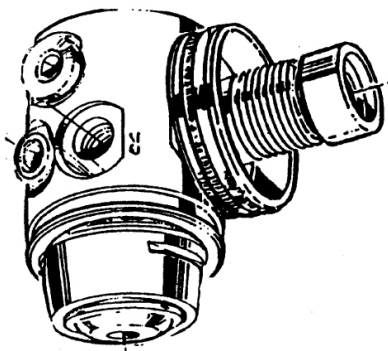


Lubricate both ends of the spring (2) and install. Lubricate the thread on pressure adjusting screw (1), and tighten 7 turns with a 6 mm Allen wrench. Install the stop screw (3).

Install the valve sealing (33) on the valve piston (34).



Install the valve piston (34) and the pressure spring (16). Install the locking screw (35) with a 4 mm Allen wrench. Tighten up by hand.



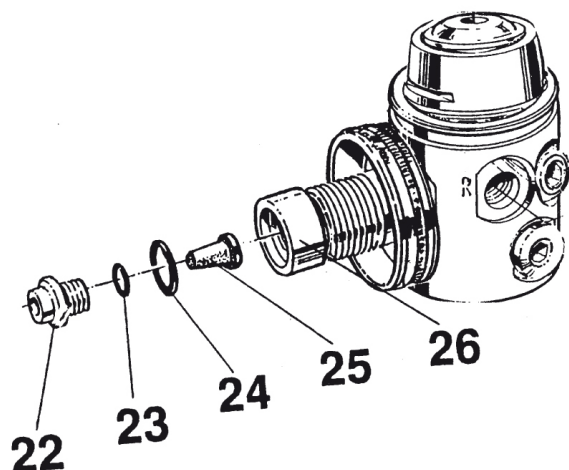
**ASSEMBLY - 1st STAGE 3720, 3720 10**

Place the valve housing (20) in a fixture.

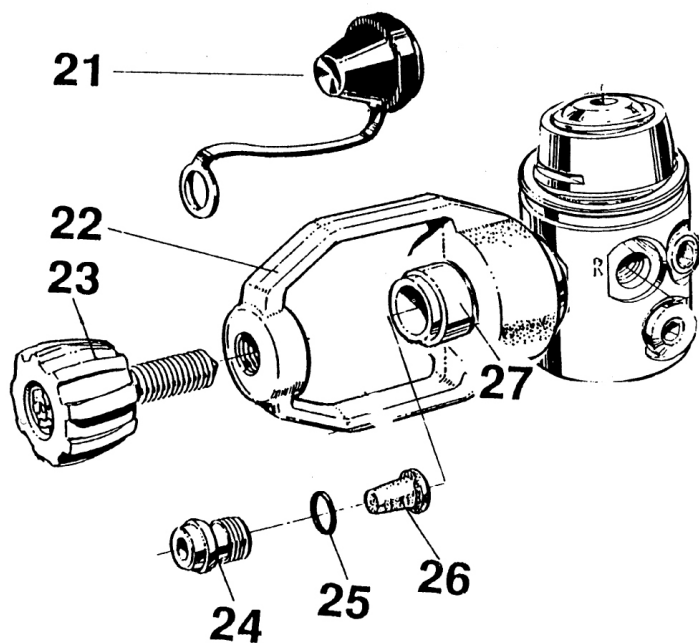
Tighten the cover for valve housing with a torque wrench (30 Nm) and an open ended insert tool 27 mm.

Tighten the connection with a torque wrench (30 Nm) and holder insert tool/ bits.

**IMPORTANT!** Use bits nr 3119 (L = 40 mm).

**First stage valve with G5/8" (3720):**

Put o-ring (23) on the cup type filter (25). Install them and the o-ring (24) and the locking screw (22) in the connection (26). Tighten with a Allen wrench 6 mm.

**First stage valve with Yoke (3720 10):**

Put o-ring (25) on the cup type filter (26). Install them and the locking screw (24) in the connection (27). Tighten with a Wrench 6 mm. Put the protective cap (21) on the knob (23). Lubricate and screw in the knob.

Install o-ring (30) on the low pressure hose. Lubricate the oring and the thread. Tighten the hose with a 13 mm open wrench.

## ADJUSTMENTS AND SETTINGS - 1st STAGE 3720, 3720 10

### Preparing the first stage for adjustment

Before starting the process of setting the intermediate pressure of the first stage, it's recommended that you do the following steps.

- Un-screw the adjustment screw to the point where there is no tension on the adjustment spring.
- Connect the first stage to a regulator test box.
- Open the left hand side valve (Low Pressure) on the regulator test box and check for leaks. The intermediate pressure gauge should show 0 bar/psi intermediate pressure.
- If no leaks are found, open the right hand side valve (high pressure) and check the intermediate pressure gauge. It should still show 0 bar/psi intermediate pressure.
- Allow the first stage to sit, under high pressure, for one minute.
- Then start turning the adjustment screw, so that there is an intermediate pressure shown on the intermediate pressure gauge.
- Turn off both valves on the regulator test box.
- Depressurize the regulator.

You are now ready for the next step: Setting the intermediate pressure.

### Setting the intermediate pressure

Connect the regulator to the test equipment.

Connect the regulator test low pressure gauge hose to one of the low pressure outlets.

Open the LP valve (=20 bar).

Set the secondary pressure at 10,5 bar / 152 psi, and intermittently purge the second stage by means of the purge button. NOTE that the second stage valve must be fully tight during this test. When the pressure gauge needle stops at the preset pressure, a maximum rise in pressure of 1 bar is allowed before the needle finally stops. Adjust the pressure to 11,5 bar/167 psi (the correct pressure) taking into account any rise in pressure. If the needle continues to move to a higher pressure reading there is a fault in the seal between the valve seat and piston, or the O-ring.

Close the LP valve, and open the HP valve (=200/300 bar - 2900/4350 psi). Purge intermittently with the purge button and check the intermediate pressure. It must not decrease or increase more than 1,5 bar. / 22 psi.

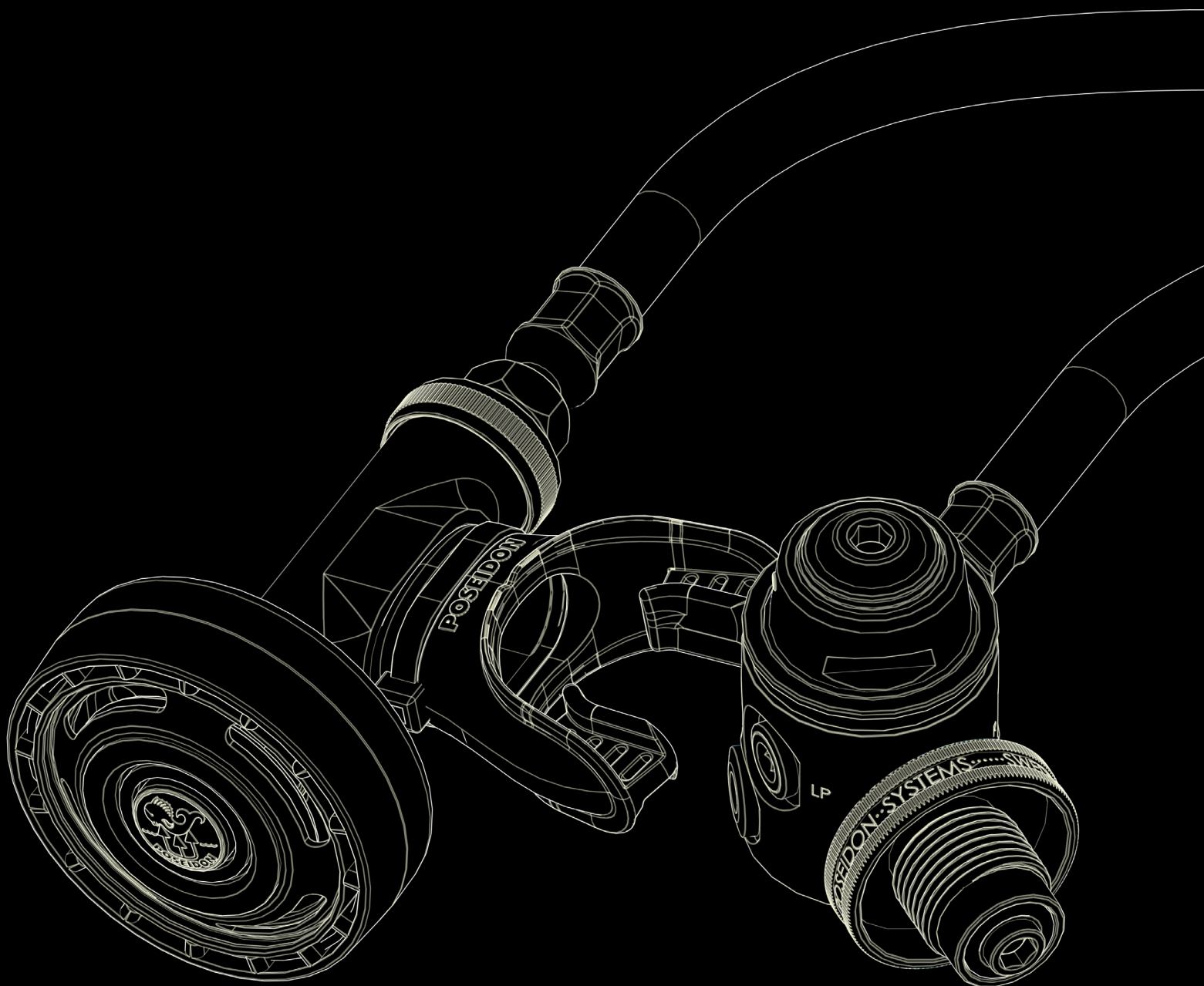
Close the HP valve and purge it fully.

The first stage intermediate pressure has now been set.

### Intermediate pressure quick reference table.

1st stage model	TANK PRESSURE		Notes
	20 bar	M.T.P*	
3720	11,5 bar / 167 psi	+/- 1,5 bar / 22 psi	Balanced 1st stage
3720 10	11,5 bar / 167 psi	+/- 1,5 bar / 22 psi	Balanced 1st stage

\* Max Tank Pressure = Full tank



Issue 1.0

Copyright © Poseidon Diving Systems AB 2005 - 2012

All rights reserved. No parts of this book may be reproduced in any form whatsoever without written permission of the publisher.

Service manual Cyklon 5000 Art. Nnbr. 3950.