

POSEIDON

PRODUCT RANGE
2026-2





Contents

- About Poseidon4
- Our Regulator Philosophy5
- Our Technology - Designed for Divers.6
- The Regulator Lineup - Explained7
- Regulator Comparison Table 10
- Build Your Own Regulator Setup..... 11
- Regulators & Gauges..... 12
- Rebreather & Accessories26
- Computer & Accessories..... 34
- Valves..... 38
- BCDs & Wings 40
- Weight Pockets & Belts 44
- Hoods & Gloves..... 46
- Suits & Accessories 48
- Masks, Fins & Snorkels..... 52
- Bags, Cases & Other Accessories..... 54
- Apparel..... 60
- Contacts66

This mark * after the article number indicates that is an Order Item, that we do not always have in stock. Please contact sales for current status and delivery information.

This mark ** after the article number indicates that it is an Order Item that requires a minimum order quantity (MoQ). Contact sales for price, MoQ and delivery information.

Further information on products can be found at our homepage www.poseidon.com.

You can place your order on the internet at <http://order.poseidon.com>. There you will also see your prices and order status as well as your complete order history.

Photo: Santiago Lucciano, A.Mathiesen-Öhman, J.Nilsson, P.Andersson, A.Minnaar et.al., Nicolai Deutsch

About Poseidon

Born in Scandinavia. Trusted Everywhere.

At Poseidon, we don't just build regulators—we build lifelines. Since 1958, we've developed breathing systems for divers who work, train, explore, and rescue in some of the world's harshest conditions. We were founded in Sweden, where cold, dark water isn't the exception—it's the starting point.

Our gear has never been about flash. It's about function.

About keeping you safe.



About lasting a lifetime—and then some.

In fact, we're still servicing regulators built in the early 60s. We don't believe in throwaway design. We believe in building products that stay with you, dive after dive, year after year.

When you choose Poseidon, you're choosing gear that's trusted by military divers, public safety teams, technical explorers—and thousands of everyday divers who simply want to feel safe and supported underwater.

Our job is to make sure you don't have to think about your gear. That way, you can focus on the dive.



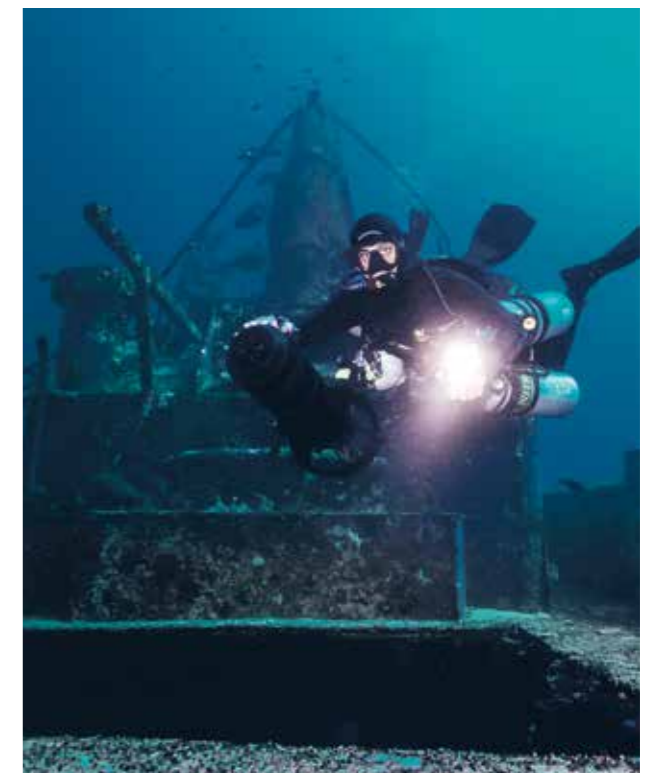
Our Regulator Philosophy

Let Go. Dive In.

When your equipment just works, you get to experience what diving is really about: silence, weightlessness, focus. That's the world we design for. Poseidon regulators are built to disappear—no knobs to adjust, no resistance, no unnecessary complexity.

And while they may look simple on the outside, they're the result of over 60 years of careful thinking, rigorous testing, and real-world feedback from the people who use them in the most demanding places on Earth.

Whether you're diving ten meters/32 ft in the tropics or pushing past sixty meters/167 ft in the Arctic, your regulator should feel the same: smooth, silent, secure.



We don't rush out new models every year. We refine what already works.

That's why a Poseidon regulator isn't just gear—it's an investment. In performance, in safety, and in peace of mind. For life.

We believe great design is invisible. You only notice it when it's not there.



Our Technology – Designed for Divers

Why So Different?

Because we never followed the crowd.

At Poseidon, we didn't try to improve existing regulators—we reimagined what a regulator could be. From the inside out, our systems are built with a different philosophy:

function before fashion, engineering before trend.

Built to Last. Engineered to Disappear.

Breathing underwater should feel effortless.

That's why every Poseidon regulator is designed to perform flawlessly—**every time, for a lifetime.**

We start where others don't: in real conditions. Ice diving. Deep diving. Military operations. Commercial work. We engineer for the harshest environments—so that **every diver**, from beginner to explorer, can trust our gear with their life.



When your gear lasts a lifetime, it's not a cost. It's a companion



What Makes Poseidon Different?

✔ Zero tuning required

No knobs. No levers. No adjustments. Just breathe.

✔ Side-exhaust design

Bubbles stay out of your vision. No front purged induced free-flows. No up and down on the regulator, breathes equally good if you look down or up.

✔ Warm and cold water readiness

Engineered for any temperature. No switches, no compromises.

✔ Balanced airflow

Unmatched breathing comfort at any depth, in any position.

Built with Purpose. Backed by Decades.

What you **don't** see is just as important:

- Advanced, freeze-resistant design
- Unique airflow pathways
- Hand-assembled quality
- A design so right, it doesn't need yearly up-grades

We still service regulators from the 1960s—not because we have to, but because we can. That's not tradition. That's **engineering that respects your time, your money, and your trust.**

The Regulator Lineup – Explained

Xstream



When You Want the Best—And Nothing Less.

Xstream doesn't shout. It doesn't need to. It simply delivers—whether you're diving for pleasure, training in arctic lakes, or descending past 100 meters/328 ft.

This is the regulator trusted by elite military divers, polar scientists, cave explorers, and rescue teams. But its true strength is how quietly it performs: smooth, natural breathing at any depth, in any position, under any pressure.



Why Divers Trust It:

- Certified to 200 meters/656 ft—first in the world
- Compact and streamlined
- Self-balancing valve: perfect breathing even on near-empty tanks
- Thermo Dynamic Anti-Freeze
- Side purge = no free flow, no bubbles in your face
- Gas-ready: Air, Nitrox, Trimix, 100% O₂
- No knobs or settings. Just breathe.



"Xstream doesn't just perform—it disappears."

Perfect for:

Deep, technical, cold, demanding environments.

Also loved by:

Recreational divers who want the best breathing experience.

The Regulator Lineup – Explained

Cyklon X / 5000

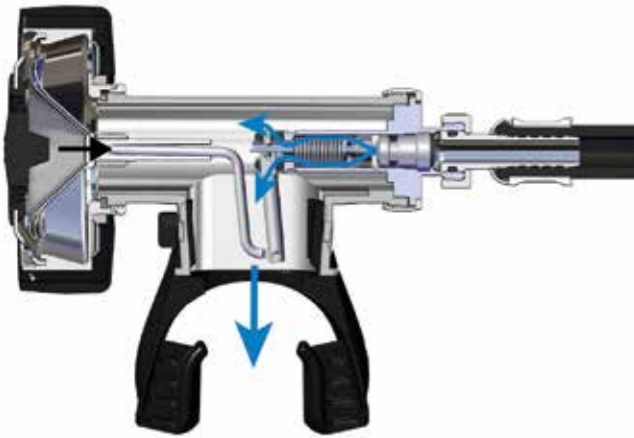


A True Classic, Built for a New Generation.

Cyklon has been part of diving history since

1958—and it's still one of the most trusted regulators in the world. Why? Because it works. Because it's simple. Because it's built like a tank—and breathes like a dream.

The new Cyklon X keeps the soul of the original, but adds modern refinement, comfort, and materials. Whether you choose the X or the legendary 5000, you're diving with something proven. Something real.



Why Divers Trust It:

- Side-purged second stage = clear view, no free flow, ambidextrous
- Iconic durability – still used in dive schools and public safety teams
- Hose mount left or right
- Available in lightweight polymer or full metal

Perfect for:

Recreational divers, instructors, sidemount, cold water schools

Also great for:

Photographers, divers who love low-maintenance design.

“Simple. Rugged. Ready for anything.”

The Regulator Lineup – Explained

Jetstream Mk3



Built for Demand. Trusted by Professionals.

Jetstream Mk3 is all about power and control. It's

been the go-to for military, rescue, and high-air-demand divers for decades. Why? Because it delivers high flow, low effort, and rock-solid reliability in even the most chaotic dives.

And it's still surprisingly simple: just put it in, breathe, and go.

Why Divers Trust It:

- Pneumatically balanced for high-performance airflow
- Cold water ready with field-proven durability
- Internal dive/surface switch
- Designed for heavy breathing loads and rapid ascent scenarios
- Works perfectly with Xstream first stage
- Also available as integrated Octopus or Full Face Mask
- Robust Design

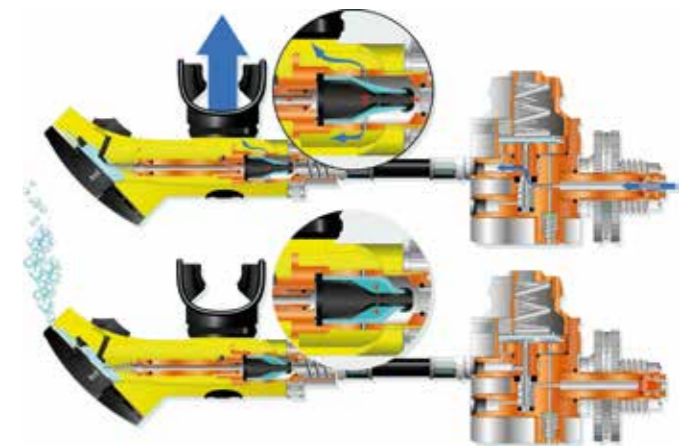
“When conditions get tough, Jetstream stays steady.”

Perfect for:

Rescue, military, cold water, high workload dives

Also excellent for:

Recreational divers who want value ease of breathing with a robust design.



Regulator Comparison Table

Model	Breathing Effort	Cold Water	Gases	Side Exhaust	Nitrox	Max Depth	Ideal For
Xstream	☆☆☆☆☆	Yes	Air, Nitrox, O2, Trimix	Yes	100 %	200 meter /656 ft	Tech, cold, pro, high-flow, rec excellence
Cyklon X	☆☆☆☆☆	Yes	Air, Nitrox, Trimix	Yes	40 %	50 meter /164 ft	Rec, pro, side-mount, instructors
Cyklon 5000	☆☆☆☆☆	Yes /antifreeze cap accessory	Air, Trimix	Yes	--	50 meter /164 ft	Rec, pro, side-mount, instructors
Jetstream Mk3	☆☆☆☆☆	Yes	Air, Nitrox, Trimix	Yes	40 %	50 meter /164 ft	Pro, rescue, cold, high-flow
Atmosphere FFM	☆☆☆☆☆	Yes	Air, Nitrox, Trimix	Side / Full	40 %	50 meter /164 ft	Ice, safety, comms, warmth



Build Your Own Regulator Setup

Profile	Recommended Regulator
New Diver	Cyklon X or Cyklon 5000
The Explorer	Xstream
Instructor	Jetstream Mk3 or Cyklon X
Cold Water Specialist	Xstream or Atmosphere
Photographer	Cyklon X or Xstream
Safety / Rescue Diver	Jetstream Mk3 + Atmosphere

Start with how you dive – we'll guide the rest.

Your dive gear should support you—not the other way around. That's why we've made it easy to build a system that matches your goals, style, and environment.



✓ Step 1: Choose Tank Configuration

- Single Tank – For travel, sport, and simplicity
- Twin Tanks – For redundancy and gas management
- Sidemount – For freedom, trim, and flexibility
- Stage Bottles – For deco, bailout, or extended range

✓ Step 2: Choose Your Regulator

- Xstream – High performance, deep and cold
- Cyklon X – Rugged, reliable, refined
- Jetstream Mk3 – High flow, high trust
- Atmosphere – Comfort, safety, and visibility

✓ Step 3: Personalize Your Setup

- Second stage – Octopus or necklace
- First stage - Din / yoke
- Hose routing – Left/right, long/short + adapters
- Monitoring – SPG, transmitter, console
- Accessories – Bolt snaps, elbows, Full Face Mask, bungees
- Cold water? Add anti-freeze cap
- Nitrox/Oxygen? Choose compatible models



Scan the QR code or visit poseidon.com/configurator

You dive your way. We help you build it.

Build Your Own Regulator Setup

Standard configuration

Visit the website configurator and make your selections for each product.



Our Standard regulator setup is built for everyday recreational diving—simple, reliable, and ready for anything from local shore dives to holiday boat dives. The configuration includes one first stage, two second stages (primary + backup), and a pressure gauge (manometer), giving you a familiar, confidence-inspiring setup with clean hose routing and easy handling in the water.

Want to make it your own? Scan the QR code to open our online configurator and tailor the setup to your diving—choose different first and second stages, adjust hose lengths, select your preferred gauge solution, and add smart extras like bolt snaps, double enders, angle adapters, octopus holders, and more.

Build Your Own Regulator Setup

Streamlined configuration

Visit the website configurator and make your selections for each product.



Our Streamlined setup is designed for recreational divers who want a cleaner, more comfortable, and more efficient hose layout. The primary second stage routes neatly under the arm and sits close to the body, reducing snag risk and keeping everything tidy in the water. A fixed-angle adapter can be used to improve the hose angle at the second stage, helping reduce jaw fatigue by removing “tug” on the mouthpiece. The backup second stage is positioned under the chin for instant access, and the pressure gauge (SPG) is typically clipped to a waist D-ring—secure, protected, and easy to check.

Want to tailor it to your preferences? Scan the QR code to access our online configurator—swap first and second stages, adjust hose lengths, choose your gauge setup, and add practical extras like bolt snaps, double enders, angle adapters, octopus holders, and more.

Build Your Own Regulator Setup

Longhose configuration

Visit the website configurator and make your selections for each product.



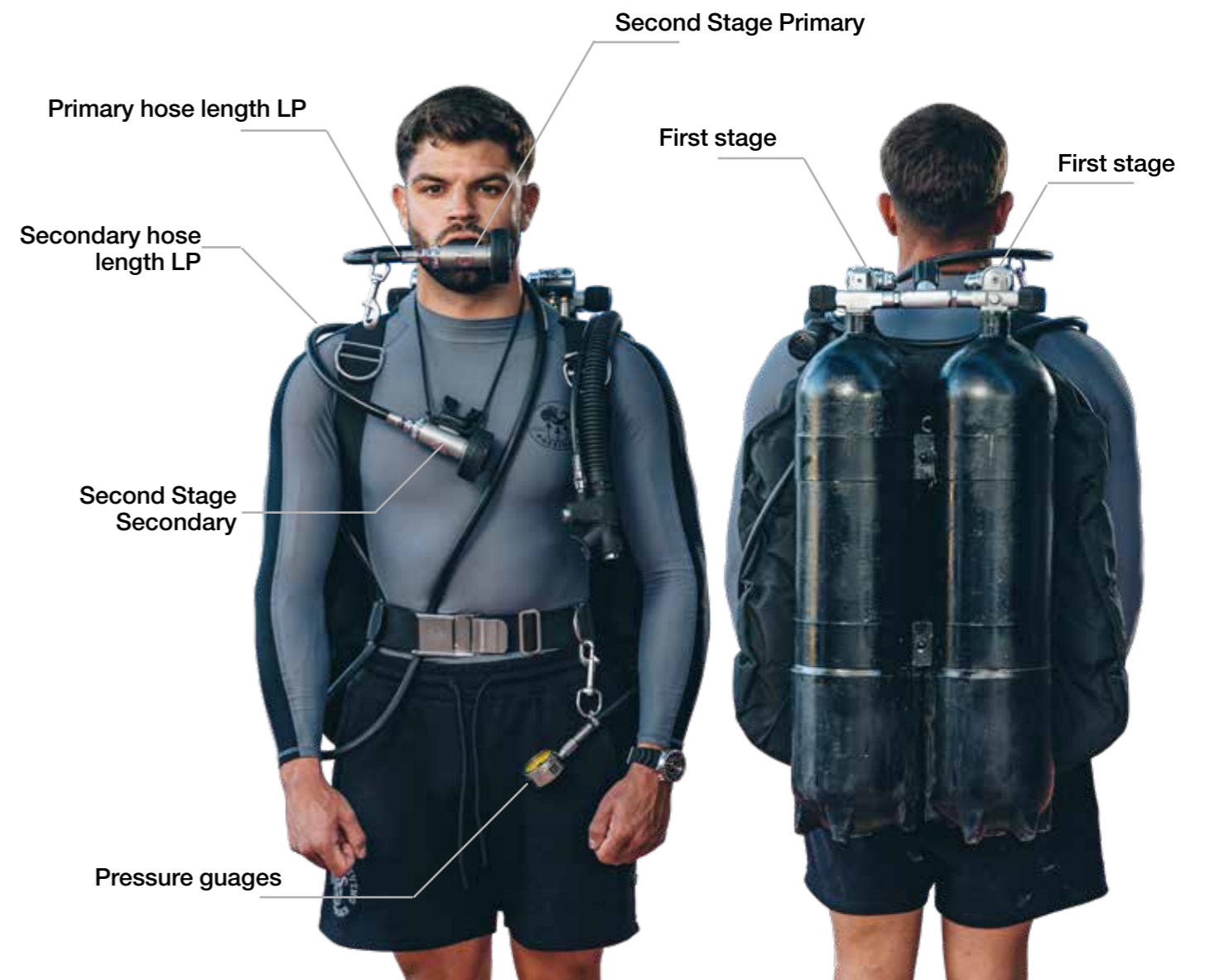
Our Longhose setup is a popular choice for divers who want a cleaner, more controlled gas-sharing solution than a traditional octopus. The primary second stage is fitted with a long hose that routes close to the body, reducing drag and keeping the regulator easy to deploy. The backup second stage sits on a short hose, worn on a necklace under the chin—protected, streamlined, and instantly available. In an out-of-air situation, the primary is donated smoothly with one hand while the backup is immediately ready for you.

Want to tailor it to your preferences? Scan the QR code to access our online configurator—swap first and second stages, adjust hose lengths, choose your gauge setup, and add practical extras like bolt snaps, double enders, angle adapters, octopus holders, and more.

Build Your Own Regulator Setup

Doubles configuration

Visit the website configurator and make your selections for each product.



Our Doubles setup is built for divers using twin cylinders with a manifold—offering clean hose routing, redundancy, and a proven gas-sharing approach. The primary second stage is fitted with a long hose from the right post for smooth donation, routed close to the body and typically stowed by clipping it neatly when not in use. The backup second stage is on a short hose worn on a necklace under the chin, supplied from the left post—always protected and instantly available. The BC inflator hose and pressure gauge are typically kept shorter and routed tight to the diver, with the SPG clipped to the waist D-ring for easy checks and minimal snag risk.

Want to tailor it to your preferences? Scan the QR code to access our online configurator—choose first and second stages, adjust hose lengths, select your gauge setup, and add practical extras like bolt snaps, double enders, angle adapters, octopus holders, and more.

Build Your Own Regulator Setup

Sidemount configuration

Visit the website configurator and make your selections for each product.



Our Sidemount setup is designed for divers who want flexibility, streamlined hose routing, and easy cylinder management. Because sidemount divers rig their cylinders in different ways, SPG mounting and hose routing can depend on how your valves are oriented (valve outlets facing up or down, and handwheels inboard or outboard). For that reason, this setup is prepared to be easily tailored so your SPGs and hoses sit cleanly, remain protected, and are simple to read and access throughout the dive.

Want to tailor it to your preferences? Scan the QR code to access our online configurator—choose first and second stages, adjust hose lengths, select your gauge setup, and add practical extras like bolt snaps, double enders, angle adapters, octopus holders, and more.

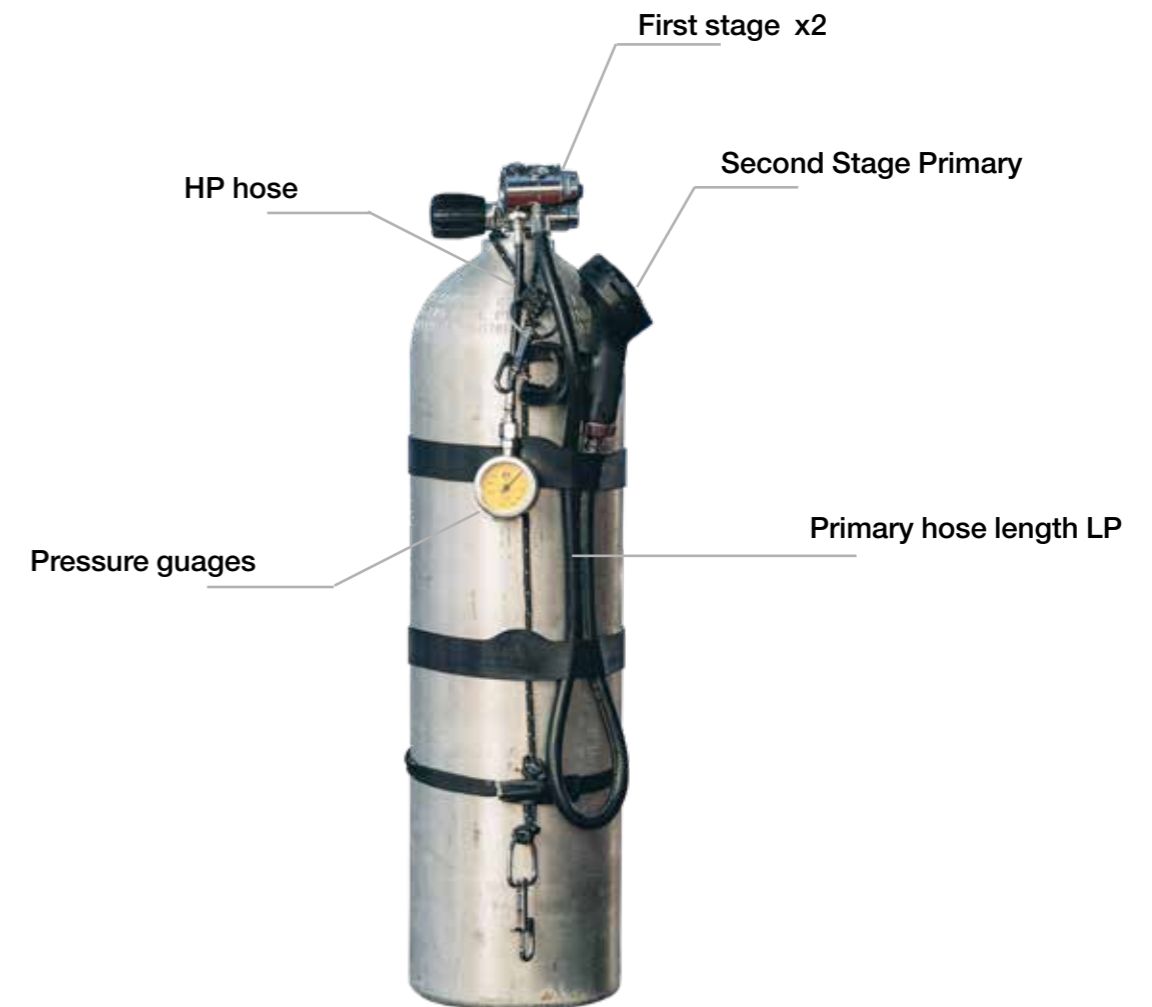
Build Your Own Regulator Setup

Stage tank configuration

Visit the website configurator and make your selections for each product.



Poseidon second stages are especially well suited for sidemount diving because they don't have a fixed "up" or "down" orientation. That gives you multiple clean options for routing regulators and hoses—so you can build the configuration that fits your harness, cylinder position, and personal preference best.



Our Stage tank setup is designed for stage, decompression, and bailout use—when you're relying on a separate cylinder for part of the dive. On many stage and deco dives, you may spend a significant amount of time breathing from these regulators, so reliability and correct performance still matter, even in shallower water. A well-chosen stage setup gives you dependable breathing, clean handling, and a practical configuration that's easy to deploy, stow, and manage throughout the dive.

Want to tailor it to your preferences? Scan the QR code to access our online configurator—choose first and second stages, adjust hose lengths, select your gauge setup, and add practical extras like bolt snaps, double enders, angle adapters, octopus holders, and more.

Regulators & Gauges



**1 ST STAGE XSTREAM
DEEP G5/8"**

Art. no.	Description
0110-000	1st Stage Xstream Deep G5/8"
0110-006	1st Stage Xstream X G5/8" BLACK



**1 ST STAGE XSTREAM
DURATION**

Art. no.	Description
0110-001*	1st Stage Xstream Duration M26 GREEN
0110-003*	1st Stage Xstream Duration G5/8" GREEN



**1 ST STAGE XSTREAM
OXYGEN M26**

Art. no.	Description
0110-002	1st Stage Xstream Oxygen M26 WHITE



**2ND STAGE XSTREAM
BLACK**

Art. no.	Description
0120-000	2nd Stage Xstream BLACK



**2ND STAGE XSTREAM
GREY**

Art. no.	Description
0120-014	2nd Stage Xstream GREY



**2ND STAGE XSTREAM
WHITE**

Art. no.	Description
0120-015	2nd Stage Xstream WHITE



**2ND STAGE XSTREAM
YELLOW**

Art. no.	Description
0120-003	2nd Stage Xstream YELLOW



**2ND STAGE XSTREAM
DURATION GREEN**

Art. no.	Description
0120-001*	2nd Stage Xstream Duration GREEN

Regulators & Gauges



**2ND STAGE JETSTREAM
BLACK**

Art. no.	Description
0120-005	2nd Stage Jetstream Black



**2ND STAGE JETSTREAM
YELLOW**

Art. no.	Description
0120-006	2nd Stage Jetstream 9/16 Octopus



**1 ST STAGE G5/8"
FOR JETSTREAM**

Art. no.	Description
3790	1st Stage G5/8" for Jetstream



**1 ST STAGE CYKLON
G5/8**

Art. no.	Description
3720	1st Stage Cyklon G5/8



**1 ST STAGE CYKLON
YOKE**

Art. no.	Description
3720 10*	1st Stage Cyklon Yoke



YOKE ADAPTER

Art. no.	Description
2920	Yoke adapter



**2ND STAGE CYKLON
METAL/BLACK**

Art. no.	Description
3354	2nd Stage Cyklon Black
3354 M	2nd Stage Cyklon Metal/Black



**2ND STAGE CYKLON
METAL/YELLOW**

Art. no.	Description
3536	2nd Stage Cyklon Yellow
3536 M	2nd Stage Cyklon Metal/Yellow

Regulators & Gauges

LP-RUBBER HOSE 9/16-18 O2



Art. no.	Description
0130-000	Low Pressure Rubber Hose 9/16" - 70cm/28in
0130-001*	Low Pressure Rubber Hose 9/16" - 70cm/28in - O2
0130-002	Low Pressure Rubber Hose 9/16" - 90cm/35in
0130-003*	Low Pressure Rubber Hose 9/16" - 90cm/35in - O2
0130-006	Low Pressure Rubber Hose 9/16" - 110cm/43in
0130-007*	Low Pressure Rubber Hose 9/16" - 110cm/43in - O2
0130-008	Low Pressure Rubber Hose 9/16" - 150cm/59in
0130-009*	Low Pressure Rubber Hose 9/16" - 150cm/59in - O2
0130-010	Low Pressure Rubber Hose 9/16" - 210cm/83in
0130-011*	Low Pressure Rubber Hose 9/16" - 210cm/83in - O2
0130-048	Low Pressure Rubber Hose 9/16" 60cm/24in

LP-RUBBER HOSE INFLATOR 80 CM



Art. no.	Description
0130-016	Low Pressure Rubber Hose Inflator - 80cm/32in

LP-RUBBER HOSE O2 INFLATOR 65 CM



Art. no.	Description
0130-026*	Low Pressure Rubber Hose Inflator - 65cm/26in - O2

LOW PRESSURE FLEX HOSE 9/16



Art. no.	Description
0136-014	Low Pressure Flex hose 9/16 102cm/40in, black
0136-015	Low Pressure Flex hose 9/16 110cm/43in, black
0136-001	Low Pressure Flex hose 9/16 15cm/6in, black
0136-016	Low Pressure Flex hose 9/16 150cm/59in, black
0136-017	Low Pressure Flex hose 9/16 210cm/83in, black
0136-002	Low Pressure Flex hose 9/16 23cm/9in, black
0136-003	Low Pressure Flex hose 9/16 30cm/12in, black
0136-004	Low Pressure Flex hose 9/16 38cm/15in, black
0136-005	Low Pressure Flex hose 9/16 46cm/18in, black
0136-006	Low Pressure Flex hose 9/16 50cm/20in, black
0136-007	Low Pressure Flex hose 9/16 56cm/22in, black
0136-008	Low Pressure Flex hose 9/16 60cm/24in, black
0136-009	Low Pressure Flex hose 9/16 66cm/26in, black
0136-010	Low Pressure Flex hose 9/16 70cm/28in, black
0136-011	Low Pressure Flex hose 9/16 76cm/29in, black
0136-012	Low Pressure Flex hose 9/16 81cm/32in, black
0136-013	Low Pressure Flex hose 9/16 81cm/32in, black

LP-RUBBER HOSE CYKLON UNF 3/8"



Art. no.	Description
2946	LP-Rubber Hose Cyklon 70cm/28in
2947	LP-Rubber Hose Cyklon 90cm/35in
2948*	LP-Rubber Hose Cyklon 120cm/47in
3146*	LP-Rubber Hose Cyklon 150cm/59in
3147*	LP-Rubber Hose Cyklon 210cm/83in

LOW PRESSURE FLEX HOSE CYKLON



Art. no.	Description
0137-009	Low Pressure Flex hose Cyklon 66cm/26in, black
0137-014	Low Pressure Flex hose Cyklon 102cm/40in, black
0137-015	Low Pressure Flex hose Cyklon 110cm/43in, black
0137-016	Low Pressure Flex hose Cyklon 49in/120 cm, black
0137-001	Low Pressure Flex hose Cyklon 15cm/6in, black
0137-017	Low Pressure Flex hose Cyklon 150cm/59in, black
0137-018	Low Pressure Flex hose Cyklon 210cm/83in, black
0137-002	Low Pressure Flex hose Cyklon 23cm/9in, black
0137-003	Low Pressure Flex hose Cyklon 30cm/12in, black
0137-004	Low Pressure Flex hose Cyklon 38cm/15in, black
0137-005	Low Pressure Flex hose Cyklon 46cm/18in, black
0137-006	Low Pressure Flex hose Cyklon 50cm/20in, black
0137-007	Low Pressure Flex hose Cyklon 56cm/22in, black
0137-008	Low Pressure Flex hose Cyklon 60cm/24in, black
0137-010	Low Pressure Flex hose Cyklon 70cm/28in, black
0137-011	Low Pressure Flex hose Cyklon 76cm/29in, black
0137-012	Low Pressure Flex hose Cyklon 81cm/32in, black
0137-013	Low Pressure Flex hose Cyklon 90cm/35in, black

BC FLEX HOSE BLACK

Art. no.	Description
0138-001	BC Flex hose 15cm/6in, black
0138-002	BC Flex hose 23cm/9in, black
0138-003	BC Flex hose 30cm/12in, black
0138-004	BC Flex hose 36cm/14in, black
0138-005	BC Flex hose 38cm/15in, black
0138-006	BC Flex hose 46cm/18in, black
0138-007	BC Flex hose 56cm/22in, black
0138-008	BC Flex hose 65cm/26in, black
0138-009	BC Flex hose 66cm/26in, black
0138-010	BC Flex hose 71cm/28in, black
0138-011	BC Flex hose 74cm/29in, black
0138-012	BC Flex hose 76cm/29in, black
0138-013	BC Flex hose 80cm/31in, black
0138-014	BC Flex hose 90cm/35in, black
0138-015	BC Flex hose 110cm/43in, black

Regulators & Gauges



ANGLE 90 DEGR METAL 2ND STAGE

Art. no.	Description
3290-92	Angle 90 degrees 2nd stage 9/16, metal
3290-91	Angle 90 degrees 2nd stage Cyklon-9/16, metal
3290-90	Angle 90 degrees 2nd stage Cyklon, metal



ANGLE 110 DEGR METAL 2ND STAGE

Art. no.	Description
3290-112	Angle 110 degrees 2nd stage 9/16, metal
3290-111	Angle 110 degrees 2nd stage Cyklon-9/16, metal
3290-110	Angle 110 degrees 2nd stage Cyklon, metal



OCTOHOLDER

Art. no.	Description
0655-005	Octoholder Black



BOLT SNAP SQUAREHEAD 100

Art. no.	Description
3279-100	Bolt snap SquareHead 100, metal



BOLT SNAP SQUAREHEAD 110

Art. no.	Description
3279-110	Bolt snap SquareHead 110, metal



BOLT SNAP 108 METAL

Art. no.	Description
3280-108	Bolt snap 108 metal



BOLT SNAP 75 METAL

Art. no.	Description
3280-75	Bolt snap 75 metal



DOUBLE ENDER 100 METAL

Art. no.	Description
3281-100	Double ender 100, metal



DOUBLE ENDER 120 METAL

Art. no.	Description
3281-120	Double ender 120, metal

Regulators & Gauges

GAUGES

The gauges come in two different colors, the traditional yellow dial and the new with a black dial. Both versions come with either bar or psi and they are also available as double console with a depth meter.



MODEL:

Cirrus Pressure Gauge with Hose



Pressure gauge Nkd BAR



Double Console in Black



Pressure gauge Nkd PSI



Pressure Gauge in Black



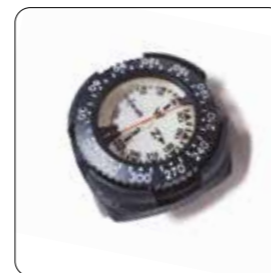
Manometer Mini BAR



Double Console in Yellow



Compass Cirrus



Art. no.	Description
7929	Pressure gauge Cirrus 300 bar w 80cm/32in hose
7929 PSI	Pressure gauge Cirrus 4350 psi w 32in/80cm hose
0600-001	Double console 300 bar/4350 Psi m/f black w 80cm/32in hose
0600-000	Pressure Gauge 300 bar/4350 Psi, black w 80cm/32in hose
8671	Twin Console Cirrus Yellow 300 bar w 80cm/32in hose
0600-010	Pressure Gauge Naked Yellow 300 bar, w 20cm/8in hose
0600-013	Pressure Gauge Naked Yellow 300 bar, w 66cm/26in hose
0600-011	Pressure Gauge Cirrus Naked Yellow, 4350 psi, w 8in/20cm hose
0600-014	Pressure Gauge Cirrus Naked Yellow, 4350 psi, w 26in/66cm hose
0600-030	Manometer Black Mini BAR
8672	Compass Cirrus Cover + Holster

TECHNICAL FEATURES:

Cirrus Pressure Gauge with Hose
This 300 bar (4350 psi) pressure gauge is a small model that will not be in the way during the dive. Made of robust metal and packed with Poseidon's 300 bar kevlar reinforced hose. Also available with PSI scale.

Pressure Gauge in Black
Our pressure gauge in a new design, with black display and fluorescent numbers. Pressure gauge shows both BAR and PSI. Delivered with a 80 cm HP hose.

Double Console in Black
Our double console in a new design, with black display and fluorescent numbers. Pressure gauge shows both BAR and PSI. Comes with a 80 cm HP hose.



Regulators & Gauges

Regulators						
General	Xstream Deep	Xstream Duration	Jetstream Mk3	Cyklon 5000	Cyklon Metal	Atmosphere FFM
Item no	0100-000	0100-001 M26 0100-007 G5/8"	0100-005	3950	3950 M	4900-M-BK
Approved to depth (m/f)	200/656 (gas dep)	200/656 (gas dep)	50/165	50/165	50/165	50/165
IP (bar/psi)	8.5/123	8.5/123	9.5/138	12/174	12/174	8.5/123
Air	✓	✓	✓	✓	✓	✓
Nitrox EAN 40%	✓	✓	n/a	n/a	n/a	n/a
Oxygen 99.95%	n/a	✓	n/a	n/a	n/a	n/a
Trimix	✓	n/a	n/a	n/a	n/a	n/a
Working pressure 300 bar	✓	✓	✓	✓	✓	✓
Anti-freeze protection	✓	✓	**	**	**	**
O-rings	Nitril/EPDM	Viton/EPDM	Nitril	Nitril	Nitril	Nitril
US Navy Tested	✓	n/a	✓	✓	✓	n/a
Oxygen approved (EN738-1)	n/a	✓	n/a	n/a	n/a	n/a
NORSOK Tested	✓	✓	n/a	n/a	n/a	n/a
EN250 approved (cold water)	✓	✓	✓	✓	✓	✓
CE Cold water approved	✓	✓	✓	✓	✓	✓

2nd Stage						
Item no	0120-000	0120-001	0120-005	3354	3354 M	4915-BK
Colour	Black	Green	Black	Black	Metal	Black
Material	ASA/TPU	ASA/TPU	ASA	ASA	ASA	ASA
	Stainless steel	Stainless steel	Stainless steel	Stainless steel	Stainless steel	Stainless steel
	Brass	Brass	Brass	Brass	Brass	Brass
Weight (g/lb)	152/0,33	152/0,33	190/0,42	200/0,44	250/0,55	190/0,42
Volume (ml/cuin)	49,5/3,0	49,5/3,0	80/4,88	60/3,66	80/3,66	80/4,88
Technique	Upstream	Upstream	Upstream	Downstream	Downstream	Upstream
Flowrate (l/cuft permin)	2150/76	2150/76	1800/63	1250/44	1250/44	1800/63
Oxygen cleaned	n/a	✓	n/a	n/a	n/a	n/a
Servoassisted	✓	✓	✓	n/a	n/a	✓
Safety valve	✓	✓	✓	n/a	n/a	✓
Swiveling	✓	✓	✓	✓	✓	✓
Automatic Venturi assist	✓	✓	✓	✓	✓	✓
Automatic Inhalation control	✓	✓	✓	✓	✓	✓
Gascode cover	✓	✓	n/a	n/a	n/a	n/a
Dismountable w/o tools	✓	✓	n/a	n/a	n/a	n/a
Non keyed (no up or down)	✓	✓	✓	✓	✓	fixed
Anatomic Mouthpiece	✓	✓	✓	✓	✓	n/a
Push button on side	✓	✓	✓	✓	✓	✓
Positive pressure	n/a	n/a	n/a	n/a	n/a	✓

1st Stage						
Product name	Xstream Deep	Xstream Duration	Jetstream Mk3	Cyklon 5000	Cyklon Metal	Atmosphere Complete
Item no	0110-000	0110-001 M26 0110-003 G5/8"	0110-000	3720	3720	0110-000
Colour	Black	Green	Black	Metal	Metal	Metal
Technique	Rolling diaph.	Rolling diaph.	Diaphragm	Diaphragm	Diaphragm	Rolling diaph.
Material	Chrome/brass	Chrome/brass	Chrome/brass	Chrome/brass	Chrome/brass	Chrome/brass
Valve technique	Spheric	Spheric	Piston	Piston	Piston	Spheric
Wheel mount	Side	Side	Side	Side	Side	Side
Flowrate (l/cuft per min)	5500/194	5500/194	5500/194	5100/180	5100/180	5500/194
Oxygen cleaned DIN 5/8"	n/a	✓	✓	✓	✓	✓
Connection	✓	✓	✓	✓	✓	✓
DIN 5/8" Connection	✓	✓	✓	✓	✓	✓
EN144-3 Connection	n/a	✓	n/a	n/a	n/a	n/a
Separate Yoke	**	**	**	**	**	**
Zytel HP seat	✓	✓	✓	n/a	n/a	n/a
Safety valve	✓	✓	✓	✓	✓	✓
Thermodynamic anti-freeze prot.	✓	✓	n/a	n/a	n/a	n/a

Hose						
Hose length	70 cm/28 in	*	70 cm/28 in	70 cm/28 in	70 cm/28 in	70 cm/28 in
Cordreinforced EPDM	✓	✓	✓	✓	✓	✓
Inspection port	✓	✓	✓	✓	✓	✓
>100 bar burst pressure	✓	✓	✓	✓	✓	✓
>1000 N Tensile strength	✓	✓	✓	✓	✓	✓
Oxygen cleaned	n/a	✓	n/a	n/a	n/a	n/a

Accessories						
Item no	0100-003	n/a	0100-006	2981	2981 M	0100-003, 0100-006
Octopus	2920	2920	2920	2920	2920	2920
Separate Yoke	n/a	n/a	1286	1286	1286	n/a
Anti freeze cap	0130-000	0130-001	0130-000	2946	2946	0130-000
Hose 70 cm/28 inch	0130-002	0130-003	0130-002	2947	2947	0130-002
Hose 90 cm/35 inch	0130-008	0130-009	0130-008	3146	3146	0130-008
Hose 150 cm/59 inch	0130-010	0130-011	0130-010	3147	3147	0130-010
Hose 215 cm/85 inch	4540	4540	n/a	n/a	n/a	4540
Neckstrap						

* Choose length ** Accessory n/a Not available n/d Not delivered ✓ Standard

Regulators & Gauges

GLOSSARY OF TERMS USED

Balanced – this means that the regulated pressure is independent from the upstream pressure, e.g. IP independent from cylinder pressure, or breathing pressure independent from IP. The conventional way to obtain this is to arrange the valve in such a way that the upstream pressure either: acts only on surfaces perpendicular to the opening and closing direction, thereby having no effect on opening and closing forces; or the upstream pressure leads through the valve to an opposite surface of equal area, leading to an automatic equalisation (balancing) of forces in the opening and closing direction.

Either way, it leads to a more stable performance and higher regulating precision.

Upstream valve vs. downstream valve – an upstream valve opens in a direction opposite of the flow direction which will be established when the valve opens. A downstream opens in the same direction as the subsequent flow. An upstream valve will seal tighter and tighter with an increasing upstream pressure, while a downstream will open when upstream pressure reaches a certain threshold pressure.

SCUBA regulators with upstream valves must have something acting as a pressure relief valve somewhere in the line, to ensure that explosions are not caused in case of an excessive pressure. Downstream valves will open spontaneously, but if used, for example, in 2nd stages, will be more prone to start

free-flowing under the same circumstances.

p/v loop, breathing diagram - A p/v loop is a way to visualise a regulator's breathing performance by plotting the breathing pressure over the displaced volume. Most often, the breathing starts with an inhalation to the right at the x-axis, and the inhalation forms a graph ideally close to the x-axis. When exhalation starts, the graph plotter turns and goes back again on the positive side of the x-axis until the inhaled volume has again been exhaled. This then forms a "pressure/ volume loop". The x-axis intersects with the y-axis exactly at the actual pressure at depth, and can be said to be the target regulator pressure. If both the inhalation and exhalation curve did not deviate from the target pressure whatsoever, we would have a perfect regulator, with no inhalation- or exhalation-resistance.

Norsok U-101 – Since the EN 250 standard only states dynamic performance testing to a maximum depth of 50m, and accordingly requires a maximum approved diving limit to 50m, it cannot be used for type approving regulators capable of more. The Norwegian Off-Shore industry has established standards similar to the EN 250 which describes testing down to 400m. This standard was accepted by the notified body to be used to test the first ever Open Circuit SCUBA regulator to be approved for use down to 200m – the Xstream.

The standard can be viewed at: http://www.standard.no/pro-norm-2/data/f/0/01/49/1_10704_0/U-101-N.pdf



SE7EN+ ONE MACHINE. FOR EVERYONE.



”Basics”

All essentials are incorporated, giving you everything necessary to kickstart your adventure.

”Optional Components”

Enhance your SE7EN+ experience with a variety of optional selections. Take advantage of the opportunity to customize and elevate your journey beyond expectations.

”SE7EN+ Packages”

Elevate your diving experience with our optional packages crafted for extended and more immersive underwater exploration.

Opt for one of two add-ons tailored for divers seeking longer bottom times and deeper dives, guaranteeing maximum enjoyment with each descent.

”Accessories”

Complete your setup by adding a variety of optional accessories that allow you to customize it according to your preferences.

From covers and handles to stands and cylinder QMRs - the possibilities are endless! Don't settle for a generic setup when you can make it uniquely yours with these personalized additions.

SE7EN+ BUYERS GUIDE



KEY PERFORMANCE FEATURES

- Dive closer to marine life for a more intimate underwater experience
- Enjoy significantly more time underwater with optimized gas consumption
- Unmatched safety ensured through patented technology for a secure dive
- Demonstrated reliability with a proven track record in diverse conditions
- Adapt the system to evolving needs with its expandable and customizable features
- Suited for both recreational and 100-meter technical rebreather diving
- Extended comfort with a patented mouthpiece featuring a bailout valve
- Real-time monitoring and control through an advanced Dive Management System
- Plug-and-play compatibility with Dive-by-Wire technology for effortless setup
- Accurate and durable oxygen monitoring with Solid State O2 Sensor technology
- Stay connected with Bluetooth for wireless data transfer and updates
- Streamlined start-up with an automatic testing procedure for reliability
- Dive planning and analysis made easy with the Poseidon Reef App

Rebreather & Accessories

POSEIDON SE7EN CUSTOM-BUILD:

Art. no.	Name	Description
6012-010	POSEIDON SE7EN	EU version incl. battery charger.
6012-011	POSEIDON SE7EN	US version incl. battery charger

For EU orders, the Poseidon SE7EN must ship with cylinders from the factory. Cylinders are not included within either the EU or US article numbers and cylinder type must be specified at the time of ordering for EU purchases.

POPULAR ACCESSORIES:

Art. no.	Name	Description
0005-100	BCD QMR	Designed for easy assembly. The ideal solution for quick BCD attachment
0000-468	11 Inch Adapter	The value choice for attaching your BCD
0100-006	Jetstream Mk3 Octopus	The recommended Octopus for the POSEIDON SE7EN
0650-032	Wing Man, Side Sling Case	Bring your bailout tank with you without bungees and straps
0100-005	Jetstream Mk3 (Black)	Perfect regulator for your bailout kit



COUNTER LUNGS

Art. no.	Description
6011-049	Standard Counter Lungs For the recreational rebreather diver. 6.2 liter volume.
6011-050	Large Counter Lungs For the larger or technical rebreather diver. 8.2 liter volume.

MATERIAL:

Ballistic Nylon

TECHNICAL FEATURE:

6.2 or 8.2 liter volume.



BACK MOUNTED COUNTER LUNGS

For divers preferring the back mounted set-up of their rebreather wing/harness. Made for the Poseidon Rebreather Wing/Harness the Back Mounted Counter Lungs have the same material and specifications as the technical counter lungs. Over-the-Shoulder or Back Mounted Counter lungs is a matter of personal preference.

MATERIAL: Ballistic Nylon

Art. no.	Description
6011-066	Back Mounted Counter Lungs For the technical rebreather diver. 8.2 liter volume.

MANUAL ADDITION VALVE PACK BMCL



Art. no.	Description
6011-074	Manual Addition Valve Pack - Metall for Back Mounted Counter Lungs 2 hose 110 cm

Rebreather & Accessories





**BREATHING LOOP
CC HOSE**

These hoses will make it possible for you to customize the lengths of the hoses to fit you better.

The standard length sold with the POSEIDON SE7EN is 346 mm.

Art. no.	Description
0132-000	CC Hose 346 mm, pair
0135-000	CC Hose 286 mm, pair
0135-001	CC Hose 396 mm, pair



MOUTHPIECE G7

Art. no.	Description
0005-055	Mouthpiece G7



BATTERY CHARGER

Art. no.	Description
6011-015	Battery Charger



**BLIND PLUG
MOUTHPIECE**

Art. no.	Description
0000-368*	Blind Plug Mouthpiece



POWER ADAPTER 12V

Art. no.	Description
6010-290	Power Adapter 12V



**CYLINDER BRACKET
COMPLETE**

Art. no.	Description
0000-467	Cylinder Bracket Complete



**3RD CELL
CALIBRATION KIT**

Calibration kit for use with 3rd cell holder. Makes O2 cell calibration easy to perform together with external computers.

Art. no.	Description
6011-055	3rd Cell Calibration Kit



**PLUG ADAPTERS
4-PLUG KIT**

Art. no.	Description
6010-291	Plug Adapters 4-PLUG KIT



LP-HOSE DIL 30 CM

Art. no.	Description
0132-006	Low Pressure Rubber Hose 9/16" - 30cm/8in - DIL



Rebreather & Accessories



STAINLESS REBREATHING STAND

Art. no.	Description
6011-076	Stainless Rebreather Stand

CYLINDER INVERSION KIT



Art. no.	Description
6011-054	Cylinder Inversion Kit



REPACKABLE SCRUBBER CARTRIDGE

The scrubber is tested in accordance with the EN14143:2013 with the Poseidon SE7EN rebreather.

Art. no.	Description
6011-069	Repackable Scrubber Cartridge

SCRUBBER CARTRIDGE FILTER

Art. no.	Description
6011-070	Scrubber Cartridge Filter Pair



POSEIDON SOLID STATE O2 SENSOR

Digital sensor technology from Poseidon brings a quantum leap in reliability, PO2 accuracy and longevity- and enhances every aspect of your dive.

Art. no.	Description
6011-063	Poseidon Solid State O2 Sensor



O2 SENSOR (MOLEX)

Art. no.	Description
6010-206	O2 Sensor (Molex)



DISPLAY GAUNTLET

COLORS

Black



Art. no.	Description
0605-001	Display Gauntlet S
0605-002	Display Gauntlet L

MATERIAL:

Ballistic Nylon 1680, YKK Waterproof Zipper, Octopus Velcro.

Rebreather & Accessories



CYLINDER QMR SET

The Cylinder Quick Mount Release (QMR) attaches your cylinders even quicker than before and with a perfect fit every time, just as you want them to be. The QMRs are made out of steel and will snap into place on the side of your scrubber canister house.

Art. no.	Description
0415-002	Cylinder QMR Set



RB HANDLE

The stainless steel handle is easily mounted in combination with QMR adapter or 11 inch adapter. This will make your rebreather easy to grab and carry.

Art. no.	Description
6011-019	RB Handle

MATERIAL:

Stainless Steel

TECHNICAL FEATURE:

Quick mount/dismount



TANK BAND STANDARD

COLORS

Black



Art. no.	Description
0000-116	Tank Band Standard



TANK STRAP & BUCKLE

COLORS

Black



Art. no.	Description
0415-001	Tank Strap & Buckle (Pair L&R)

MATERIAL:

Stainless Steel.



QMR

The Quick Mount/Release adapter presents the fastest solution to mount and dismount your Poseidon SE7EN to your BCD/Wing.

Art. no.	Description
0005-100	QMR Rebreather BCD

MATERIAL:

Stainless Steel

TECHNICAL FEATURE:

Quick solution for mount/dismount

Computer & Accessories

POSEIDON M28 COMPUTER

“The world’s most powerful dive computer”

The Poseidon M28 Dive Computer has set new standards for dive computer performance. It boasts maps, graphics, GPS, Dive-By-Wire™, and a host of features that deliver class-leading functionality that’s incredibly intuitive to use.



Computer & Accessories

POSEIDON M28



The main features of the M28 include:

- > Powerful graphics thanks to a class leading 2.8" TFT LCD Color Display
- > Highly intuitive user interface with two button control
- > Enhanced SE7EN/MKVI functionality with the M28's Rebreather Management System
- > Dive-By-Wire™ enables you to make changes to set-points and gases during dive. Integration is possible with Poseidon Pod Systems, HUD and HP Sensors
- > Dual Deco Algorithm (DCAP and Bühlmann ZHL16C with gradient factors)
- > Real-time GPS Surface Positioning and maps
- > Depth rated to 200M/656 ft

Art. no.	Description
0600-200	Poseidon M28 Computer. Incl. Firmware CCR and Firmware Advanced OC. Carrying case, Dust bag, Charging Adapter and Bungee cord.
0600-210	Poseidon M28 Computer and CPOD/Solid State Sensor kit

M28 PROTECTIVE COVER



Art. no.	Description
0605-000	M28 Protective Cover, Black.
0605-030	M28 Protective Cover, Red

M28 SCREEN PROTECTION



Art. no.	Description
0002-164	M28 Screen Protection

CPOD INCL. SSO2 AND CABLE



Solid State O2 Sensor features:

- > Absolute oxygen measurement
- > Factory calibrated, no need for user calibration
- > Fast and accurate
- > Low power consumption

Art. no.	Description
6011-064	CPOD, T-Coupling, Poseidon Solid State O2 Sensor and Connecting Cable 1.25m/4ft

POSEIDON M28 CHARGING ADAPTER



Art. no.	Description
0005-394	M28 – USB C Charging Adapter

POSEIDON M28 BUNGEE CORD



Art. no.	Description
0000-938	M28 Bungee Cord

CONNECTING CAN CABLE



Art. no.	Description
0000-690	Connecting CAN cable, 1.25 m/4 ft.

BLIND PLUG BUS



Art. no.	Description
0605-005	Blind Plug BUS

T-COUPLING



Art. no.	Description
6011-059	T-Coupling

POSEIDON SOLID STATE O2 SENSOR



Art. no.	Description
6011-063	Poseidon Solid State O2 Sensor

CPOD



The Poseidon C-POD uses an integrated CAN bus to directly connect to the SE7EN or M28 network to monitor and log the required parameters.

Typical adaptations of the Poseidon C-POD with a M28 includes:

- > Monitor loop PO2 individually or as back up.
- > Deploy the Poseidon mouthpiece and HUD system.
- > Deliver life-saving information on PO2, loop status and calculated decompression.

Art. no.	Description
6011-058	CPOD

CPOD INCL. T-COUPLING



Art. no.	Description
6011-060	CPOD incl. T-Coupling



Valves



CYLINDER VALVE SINGLE

Art. no.	Description
0410-100**	Cylinder Valve M25x2 Single G5/8" 200 Bar



CYLINDER VALVE SINGLE O2

Art. no.	Description
0410-101**	Cylinder Valve M25x2 Single M26x2 150 Bar O2



CYLINDER VALVE SINGLE 90°

Art. no.	Description
0410-155*	Cylinder Valve M25x2 Single G5/8" 200 Bar 90°



CYLINDER VALVE SINGLE O2 90°

Art. no.	Description
0410-156*	Cylinder Valve M25x2 Single M26x2 200 Bar 90° O2



CYLINDER VALVE DOUBLE

Art. no.	Description
0410-120**	Cylinder Valve M25x2 Double G5/8" 200 Bar



INLINE VALVE BLACK

Art. no.	Description
0410-161	Inline Valve 3/4", G5/8" 237 Bar, US with Burst Disk
0410-171	Inline Valve M25x2, G5/8" 232 Bar, EU
0410-173	Inline Valve M25x2, G5/8" 300 Bar, EU



INLINE VALVE GREEN O2

Art. no.	Description
0410-160	Inline Valve 3/4", G5/8" 237 Bar O2, US with Burst Disk
0410-170	Inline Valve M25x2, M26x2 232 Bar O2, EU
0410-172	Inline Valve M25x2, M26x2 300 Bar O2, EU



BCDS & Wings

THE POSEIDON WING AND BACKPLATE

The Wing & Backplate is tailored to fit the POSEIDON SE7EN but is also an excellent choice for SCUBA diving purposes.

The Poseidon Wing & Harness have been designed to sustain good buoyancy and fit. Therefore they are the preferable choice of buoyancy device.

Made in Ballistic nylon with an integrated deflate system and custom made back plate.

The webbing and buckle system is adapted from the Poseidon platform.

The black aluminum backplate is covered in Nylon for protection and a higher comfort.

The four D-rings will make it easy to attach your bailout tank/-s or anyother equipment you would like to take along on your dive.

COLLECTION COLORS

Black



Art. no.	Description
0336-164	Harness w. backplate
0338-060	Poseidon Wing WRB

TECHNICAL FEATURES:

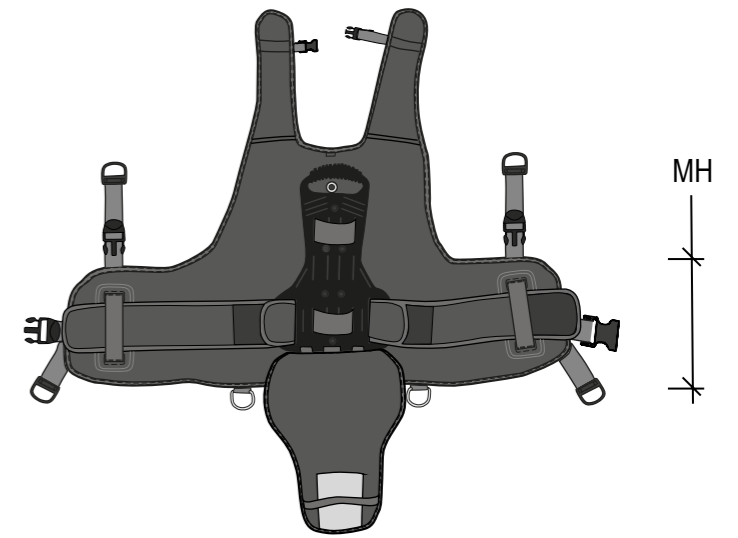
- > Self retracting bladder
- > Three dump valves
- > Nylon covered black aluminum backplate
- > Maximum buoyancy is 150 N which is reached within 5-8 seconds
- > Dry weight 1,8 kg

MATERIAL:

Nylon 1680, Nylon covered black aluminum backplate



BCDS & Wings



Size	W cm	H cm	MH cm
S	107,0	54,0	26,5
M	110,0	54,5	27,5
L	115,0	57,5	28,5
XL	120,0	61,0	28,5

ORIGO BCD

The Origo BCD is constructed to the highest quality and durability using ballistic nylon, YKK zippers and hand crafted detailing.

MATERIAL:

Premium black or red version in Nylon 1680. YKK Waterproof Zippers. Inflator with stainless steel mechanism.

TECHNICAL FEATURES:

Integrated weightpockets.
Case for crotch strap,
Velcro for patches or gauntlet.

COLLECTION COLORS

Red Black



Art. no.	Description
0337-433	Origo BCD Red S
0337-434	Origo BCD Red M
0337-436	Origo BCD Red L
0337-437	Origo BCD Red XL
0337-463	Origo BCD Black S
0337-464	Origo BCD Black M
0337-466	Origo BCD Black L
0337-467	Origo BCD Black XL



BCDS & Wings



ONE WING & ONE HARNESS

Poseidon's single tank wing is now available in the ONE design. Featured in 2 colors and made in Cordura™ 1000. Designed for beginners and for more experienced divers, the One Wing 50 is a sport wing with excellent volume increase and superior bladder deflation capabilities. When deflated, the ClamRetract system helps to reduce size and drag to the minimum. Four dump valves and an inflator with a stainless steel mechanism ensure inflation and deflation is always controlled and safe; and the shape of the bladder compensates for the weight of the tank when submerged and gives you freedom to move in any direction. The narrow air passage behind the neck is designed not to impede head movement or foul regulators and hoses when inflated.

The One Wing is made for equipment with a negative weight in water that does not exceed 19 kg (41.6 lbs) and has a lifting capacity of 225 N. It comes with a double, non-flex tank-band tank attachment system and can also be equipped with integrated weight pockets, accessory pockets, metal back plate, pinbolt kit and D-rings.

The standard size has a waist belt with three rows of 40 cc holes; and the large size has six rows.



COLLECTION COLORS

Red Black



Art. no.	Description
0335-030	One Wing 50 Red
0335-060	One Wing 50 Black

FEATURES ONE WING:

Sport wing, Three dump valves, Inflator with a mechanism in stainless steel, Non-flex tankband, ClamRetract system.



COLLECTION COLORS

Black



Art. no.	Description
0336-064	One Harness Black Standard
0336-066	One Harness Black Large

Red only available on special order.

FEATURES ONE HARNESS:

Ergonomic harness, 40 cc system, Fits most sizes, Available in Standard and Large.

BCDS & Wings

POSEIDON ONE HARNESS

Add system products



WEIGHT POCKET M INCL. BOLT KIT

Art. no.	Description
000-47	Weight Pocket M



ONE WING

Art. no.	Description
0335-030	One Wing 50 Red
0335-060	One Wing 50 Black



BOLT KIT BESEA BUTTERFLY

Art. no.	Description
000-93*	Bolt Kit Besea Butterfly



COMBINATION WEIGHT POCKET INCL. BOLT KIT

Art. no.	Description
0353-042	Combination Weight Pocket



BACKPLATE STEEL

Art. no.	Description
0000-256*	Backplate Steel Besea



D-RING KIT BESEA PREBENT

Art. no.	Description
001-91*	D-Ring Kit Besea Prebent



WEIGHT POCKET SYSTEM

Art. no.	Description
0355-066	Weight Pocket System

Weight Pockets & Belts



TRIM WEIGHT POCKET

Weight pocket to be used to modify the diver's trim. Easily mounted on the tank band.

COLORS

Black

Art. no.	Description
0350-010	Trim Weight Pocket

MATERIAL:

1680D Nylon in black.

TECHNICAL FEATURES:

Fits 2kg/4lbs.



WEIGHT POCKET M INCL. BOLT KIT

Quick release when you need it. Removable inner pocket for easy weight packing and removal. Pairs perfectly with Poseidon's One Harness and Rebreather Harness and Plate System.

COLORS

Black

Art. no.	Description
000-47	Weight Pocket M

MATERIAL:

Cordura with stainless bolt kit and plastic washer and release handle.

TECHNICAL FEATURES:

Symmetrical design enables placement on either left or right side. Quick-release mechanism. Removable inner pocket holds 4.5kg /10lbs. Bolt kit included.

WEIGHT STOPPING BUCKLE PLASTIC



Art. no.	Description
0310-145*	Weight Stopping Buckle Plastic 50 mm



COMBINATION WEIGHT POCKET INCL. BOLT KIT

The Black Line Combination Weight Pocket gives you everything you need in a larger weight pocket, combined with the added flexibility of using the pocket for accessories. Quick release when you need it. Removable inner pocket for easy weight packing and removal. Symmetrical design enables right or left placement. Pairs perfectly with Poseidon's One Harness and Rebreather Harness and Plate System.

COLORS

Black

Art. no.	Description
0353-042	Combination Weight Pocket

MATERIAL:

Cordura with stainless bolt kit and plastic washer and release handle.

TECHNICAL FEATURES:

Symmetrical design enables placement on either left or right side. Quick-release mechanism. Removable inner pocket holds 5kg /12lbs. Bolt kit included.

Weight Pockets & Belts



WEIGHT POCKET SYSTEM

The Black Line Weight Pocket System gives you the ultimate flexibility of fit. Quick release when you need it. Removable inner pocket for easy weight packing and removal. Symmetrical design enables right or left placement. Pairs perfectly with Poseidon's One Harness and Rebreather Harness and Plate System. Also fits with standard size weight belts.

COLORS

Black

Art. no.	Description
0355-066	Weight Pocket System

MATERIAL:

Cordura with stainless eyelets and bolt kit. Release handle in plastic.

TECHNICAL FEATURES:

Symmetrical design enables placement on either left or right side. Fits standard size weight belt as well as Poseidon BCDs. Quick-release mechanism. Removable inner pocket holds 4.5kg /10lbs. Bolt kit included.



WEIGHT BELT MEDIUM

Comfortable padded weight belt with buckle. Padding includes a soft anti slip down material for maximum comfort. Including stainless buckle.

COLORS

Black

Art. no.	Description
0350-765*	Weight Belt Medium

MATERIAL:

Ballistic cordura, PP webbing, stainless eyelets, YKK #10 zipper and plastic buckle. Stainless steel buckle.

TECHNICAL FEATURES:

Dual zip locked pockets with 2 + 2 internal lead compartments with a max capability of 10kg (2.5kg per compartment). 2 plastic D-rings for accessories.



WEIGHT BELT LARGE

Comfortable padded weight belt with buckle. Padding includes a soft anti slip down material for maximum comfort. Including stainless buckle.

COLORS

Black

Art. no.	Description
0350-767*	Weight Belt Large

MATERIAL:

Ballistic cordura, PP webbing, stainless eyelets, YKK #10 zipper and plastic buckle. Stainless steel buckle.

TECHNICAL FEATURES:

Dual zip locked pockets with 3 + 3 internal lead compartments with a max capability of 16kg (2.5kg per compartment). 2 plastic D-rings for accessories.



Hoods & Gloves



COLORS

Black

Art. no.	Description
0250-262	Superstretch Glove 5 Finger, 1.5mm XS
0250-263	Superstretch Glove 5 Finger, 1.5mm S
0250-264	Superstretch Glove 5 Finger, 1.5mm M
0250-266	Superstretch Glove 5 Finger, 1.5mm L
0250-267	Superstretch Glove 5 Finger, 1.5mm XL
0250-268	Superstretch Glove 5 Finger, 1.5mm XXL

SUPERSTRETCH GLOVE 5 FINGER 1.5 MM

This glove in 1.5 mm Jako Super-Stretch Geoprene offers a stylish protection for warm to temperate water divers. The unique material combined with Dot Print reinforced palms and fingers delivers freedom of movement and protects your hands with minimum interference on mobility.

MATERIAL:

Jako Super-Stretch Geoprene 1.5 mm. Dot print reinforcement.

TECHNICAL FEATURES:

1.5 mm thickness for warm to temperate water thermal protection. Jako Geoprene gives you the most comfortable fit. Reinforced palms and fingers provides extra durability and protection.



COLORS

Black

Art. no.	Description
0250-162	Superstretch Glove 5 Finger, 1.5mm XS
0250-163	Superstretch Glove 5 Finger, 1.5mm S
0250-164	Superstretch Glove 5 Finger, 1.5mm M
0250-166	Superstretch Glove 5 Finger, 1.5mm L
0250-167	Superstretch Glove 5 Finger, 1.5mm XL
0250-168	Superstretch Glove 5 Finger, 1.5mm XXL

SUPERSTRETCH GLOVE 5 FINGER 3 MM

This glove in 3 mm Jako Super-Stretch Geoprene offers a stylish protection for warm to temperate water divers. The unique material combined with Dot Print reinforced palms and fingers delivers freedom of movement and protects your hands with minimum interference on mobility.

MATERIAL:

Jako Super-Stretch Geoprene 3 mm. Dot print reinforcement.

TECHNICAL FEATURES:

1.5 mm thickness for warm to temperate water thermal protection. Jako Geoprene gives you the most comfortable fit. Reinforced palms and fingers provides extra durability and protection.



COLORS

Black

Art. no.	Description
0250-063	Superstretch Glove 5 Finger, 5mm S
0250-064	Superstretch Glove 5 Finger, 5mm M
0250-066	Superstretch Glove 5 Finger, 5mm L
0250-067	Superstretch Glove 5 Finger, 5mm XL
0250-068	Superstretch Glove 5 Finger, 5mm XXL

SUPERSTRETCH GLOVE 5 FINGER 5 MM

This glove in 5 mm Jako Super-Stretch Geoprene offers a combination of thermal protection and flexibility. The unique material combined with Dot Print reinforced palms and fingers delivers freedom of movement and protects your hands with low interference on mobility, but higher thermal protection.

MATERIAL:

Jako Super-Stretch Geoprene 5 mm. Dot print reinforcement.

TECHNICAL FEATURES:

5 mm thickness for temperate to cold water thermal protection. Jako Geoprene gives you the most comfortable fit. Reinforced palms and fingers provides extra durability and protection.

Hoods & Gloves



BLACK LINE HOOD 3 MM

The Black Line Hood 3 mm offers thermal protection for warm or temperate water divers. Jako Geoprene with an extended neck closes out as much water as possible to prevent it from circulating inside the hood.

COLORS

Black

Art. no.	Description
0245-1630	Black Line Hood, 3mm S
0245-1641	Black Line Hood, 3mm M
0245-1651	Black Line Hood, 3mm L
0245-1661	Black Line Hood, 3mm XL

MATERIAL:

Jako Geoprene M1 3 mm.

TECHNICAL FEATURES:

3 mm thickness for temperate water thermal protection. Jako Geoprene gives you the most comfortable fit. Extended neck minimizes water circulation. Taped seams give enhanced durability. Smooth skin inside for comfort and easy don and doff.



BLACK LINE HOOD 5 MM

The Black Line Hood 5 mm offers maximum thermal protection for temperate to cold water divers. Jako Geoprene with an extended neck closes out as much water as possible to prevent it from circulating inside the hood.

COLORS

Black

Art. no.	Description
0245-2630	Black Line Hood, 5mm S
0245-2641	Black Line Hood, 5mm M
0245-2651	Black Line Hood, 5mm L
0245-2661	Black Line Hood, 5mm XL

MATERIAL:

Jako Geoprene M1 5 mm.

TECHNICAL FEATURES:

5 mm thickness for temperate to cold water thermal protection. Jako Geoprene gives you the most comfortable fit. Extended neck minimizes water circulation. Taped seams give enhanced durability. Smooth skin inside for comfort and easy don and doff. Perfect for use with full face masks.

Suits & Accessories

RASHGUARD TOP



COLLECTION COLORS



PRODUCT INFORMATION

Our rashguard/swim shirt is designed to provide maximum protection from the sun and other elements while being lightweight and comfortable. It features a UPF 50+ rating for superior sun protection and quick-drying material. This versatile rash guard can be worn alone or layered for extra warmth in colder water. Whether you're surfing, swimming, diving, or just hanging out on the beach, our rash guard will keep you comfortable and protected all day long.

Material: 82% Nylon, 18% Spandex

Art. no.	Description
0250-532	Rashguard Top, Male Red XS
0250-533	Rashguard Top, Male Red S
0250-534	Rashguard Top, Male Red M
0250-536	Rashguard Top, Male Red L
0250-537	Rashguard Top, Male Red XL
0250-582	Rashguard Top, Male Grey XS
0250-583	Rashguard Top, Male Grey S
0250-584	Rashguard Top, Male Grey M
0250-586	Rashguard Top, Male Grey L
0250-587	Rashguard Top, Male Grey XL
0250-562	Rashguard Top, Male Black XS
0250-563	Rashguard Top, Male Black S
0250-564	Rashguard Top, Male Black M
0250-566	Rashguard Top, Male Black L
0250-567	Rashguard Top, Male Black XL
0250-632	Rashguard Top, Female Red XS
0250-633	Rashguard Top, Female Red S
0250-634	Rashguard Top, Female Red M
0250-636	Rashguard Top, Female Red L
0250-637	Rashguard Top, Female Red XL
0250-682	Rashguard Top, Female Grey XS
0250-683	Rashguard Top, Female Grey S
0250-684	Rashguard Top, Female Grey M
0250-686	Rashguard Top, Female Grey L
0250-687	Rashguard Top, Female Grey XL
0250-662	Rashguard Top, Female Black XS
0250-663	Rashguard Top, Female Black S
0250-664	Rashguard Top, Female Black M
0250-666	Rashguard Top, Female Black L
0250-667	Rashguard Top, Female Black XL



Suits & Accessories

ONE SHOE

Why you will love this product:
Supratex neoprene for comfort and durability.
Rear YKK zipper for easy access.
Awesome for boards, kayaks and other watersports.

COLLECTION COLORS

Red/black Black/black Blue/white Pink/white Black/white



MATERIAL:

Made in Supratex with rubber sole, YKK Waterproof Zipper and elastic bungy cord.

TECHNICAL FEATURES:

Step in shoe with zipper in the back, elastic bungy cord to keep the shoe slim around the divers foot, high durability sole.

Art. no.	Product Name
0253-0336	One Shoe Red/BK Toe Sz 36
0253-0337	One Shoe Red/BK Toe Sz 37
0253-0338	One Shoe Red/BK Toe Sz 38
0253-0339	One Shoe Red/BK Toe Sz 39
0253-0340	One Shoe Red/BK Toe Sz 40
0253-0341	One Shoe Red/BK Toe Sz 41
0253-0342	One Shoe Red/BK Toe Sz 42
0253-0343	One Shoe Red/BK Toe Sz 43
0253-0344	One Shoe Red/BK Toe Sz 44
0253-0345	One Shoe Red/BK Toe Sz 45
0253-0346	One Shoe Red/BK Toe Sz 46
0253-0347	One Shoe Red/BK Toe Sz 47
0253-0636	One Shoe Black/BK Toe Sz 36
0253-0637	One Shoe Black/BK Toe Sz 37
0253-0638	One Shoe Black/BK Toe Sz 38
0253-0639	One Shoe Black/BK Toe Sz 39
0253-0640	One Shoe Black/BK Toe Sz 40
0253-0641	One Shoe Black/BK Toe Sz 41
0253-0642	One Shoe Black/BK Toe Sz 42
0253-0643	One Shoe Black/BK Toe Sz 43
0253-0644	One Shoe Black/BK Toe Sz 44
0253-0645	One Shoe Black/BK Toe Sz 45
0253-0646	One Shoe Black/BK Toe Sz 46
0253-0647	One Shoe Black/BK Toe Sz 47
0253-1236	One Shoe Blue/WT Toe Sz 36
0253-1237	One Shoe Blue/WT Toe Sz 37
0253-1238	One Shoe Blue/WT Toe Sz 38
0253-1239	One Shoe Blue/WT Toe Sz 39
0253-1240	One Shoe Blue/WT Toe Sz 40
0253-1241	One Shoe Blue/WT Toe Sz 41
0253-1242	One Shoe Blue/WT Toe Sz 42
0253-1243	One Shoe Blue/WT Toe Sz 43
0253-1244	One Shoe Blue/WT Toe Sz 44
0253-1245	One Shoe Blue/WT Toe Sz 45
0253-1246	One Shoe Blue/WT Toe Sz 46
0253-1247	One Shoe Blue/WT Toe Sz 47
0253-1436	One Shoe Pink/WT Toe Sz 36
0253-1437	One Shoe Pink/WT Toe Sz 37
0253-1438	One Shoe Pink/WT Toe Sz 38
0253-1439	One Shoe Pink/WT Toe Sz 39
0253-1440	One Shoe Pink/WT Toe Sz 40
0253-1441	One Shoe Pink/WT Toe Sz 41
0253-1442	One Shoe Pink/WT Toe Sz 42
0253-1443	One Shoe Pink/WT Toe Sz 43
0253-1444	One Shoe Pink/WT Toe Sz 44
0253-1445	One Shoe Pink/WT Toe Sz 45
0253-1446	One Shoe Pink/WT Toe Sz 46
0253-1447	One Shoe Pink/WT Toe Sz 47
0253-1636	One Shoe Black/WT Toe Sz 36
0253-1637	One Shoe Black/WT Toe Sz 37
0253-1638	One Shoe Black/WT Toe Sz 38
0253-1639	One Shoe Black/WT Toe Sz 39
0253-1640	One Shoe Black/WT Toe Sz 40
0253-1641	One Shoe Black/WT Toe Sz 41
0253-1642	One Shoe Black/WT Toe Sz 42
0253-1643	One Shoe Black/WT Toe Sz 43
0253-1644	One Shoe Black/WT Toe Sz 44
0253-1645	One Shoe Black/WT Toe Sz 45
0253-1646	One Shoe Black/WT Toe Sz 46
0253-1647	One Shoe Black/WT Toe Sz 47

Suits & Accessories



EU	36		37		38		39		40		41	
	Male	Female	Male	Female	Male	Female	Male	Female	Male	Female	Male	Female
USA	5		6		5		6		7		8	
UK	4	3.5	4.5	4	5.5	5	6.5	6	7	6.5	7.5	7
CM	23,8		24.5		25.1		25.4		25.7		26	

EU	42		43		44		45		46		47	
	Male	Female	Male	Female	Male	Female	Male	Female	Male	Female	Male	Female
USA	9	11	10		11		12		13		14	
UK	8	7.5	8.5	8	10	9.5	11	10.5	12	11.5	13	12.5
CM	26.7		27.3		27.9		29.2		29.8		30.5	

Masks, Fins & Snorkels

BLACK, RED & WHITE LINE MASK

High performance and high style are combined in the new Poseidon Line Mask, featuring LVSL© technology.

COLORS



Art. no.	Description
0720-160	Black Line Mask
0720-140	Red Line Mask
0720-110	White Line Mask

MATERIAL:

Ultra clear lens.
Frameless mask with skirt in high quality silicone and silicone strap.



TECHNICAL FEATURES:

Enhanced field of vision from angled lens.
Easy to clear low volume profile.
Flood resistant extra deep, ultra soft skirt.
Works great with beards.
Poseidon's Black Line Mask was inspired by rebreather divers who need the maximum field of vision combined with a minimal gas requirement to clear the mask. To answer their needs, we developed LVSL© Low-Volume Single-Lens technology to give a unique combination of features that benefit all divers.

THREEDEE

A low volume mask that fits most faces. A robust frame and with optical lenses.

COLORS



Art. no.	Description
8700-BKBS	Mask 3D - Black/Black, BS
8700-BKKB	Mask 3D - Black/Kevlar, BS
8700-BKYW	Mask 3D - Black/Yellow, BS
8700-BKYW	Mask 3D - Black/Yellow, Clear Silicone
8700-BKRD	Mask 3D - Black/Red, BS
8700-PIWH	Mask 3D - Pink/White, Clear Silicone

8701-XX-L*	Lens Mask 3D - Left
8701-XX-R*	Lens Mask 3D - Right



MATERIAL:

Our exclusive ultra-light two-lens mask has an ultra-light polymer frame and comfort fit skirt in high quality silicone.
The side buckles swivel 45 degrees and are strong and easy to adjust.
Colors include matte and metallic surfaces, and 'Poseidon yellow'.

TECHNICAL FEATURES:

Prescription lenses available online.
Lens 3D from -1,5 to -9,0 in steps of 0,5.
Comfort fit suits most face shapes.
Easy to clear thanks to low volume profile.



TECHNICAL FEATURES:

Perfect free-diving mask. Easy to clear, ultra-low-volume.
Stand-out rugged, stylish look.
Poseidon's Technica Mask was inspired by free-divers who need the minimum gas requirement to clear their masks. The Technica Mask's rugged looks will set you apart from the crowd and perform flawlessly. Dive after dive.

TECHNICA

Classic mask with ultra low volume.
Very popular among technical divers and free divers.

COLORS

Black/grey



Art. no.	Description
8684-GKGA	Mask Technica, grey/black gomme

MATERIAL:

A compact mask with rubberised surface and double glass.

Masks, Fins & Snorkels

BLACK, RED & WHITE LINE SNORKEL



Lightweight. Foldable. Functional.
The new Poseidon Snorkel.
Black, Red or White Line

COLORS



Art. no.	Description
0730-000	Black Line Snorkel
0730-040	Red Line Snorkel
0730-010	White Line Snorkel

MATERIAL:

Silicone mouthpiece with TPR tube.

TECHNICAL FEATURES:

Lightweight and compact for easy travel.
Foldable design for easy storage on dives.
Wraparound design for streamlined swimming.
Perfect companion to any Poseidon Mask.

TRIDENT FIN



Ideal for those who prefer a rigid rubber fin. Stainless steel strap for easy on and off. One of the shortest fins of its kind with an edge on the side for maneuverability. Highly popular among technical divers.

COLLECTION COLORS



MATERIAL:

Made from 100% rubber with rubber coated stainless steel strap.

Art. no.	Description
0710-062	Trident Fin Red - Size M
0710-063	Trident Fin Red - Size L
0710-064	Trident Fin Red - Size XL
0710-065	Trident Fin Red - Size XXL
0710-032	Trident Fin Black - Size M
0710-033	Trident Fin Black - Size L
0710-034	Trident Fin Black - Size XL

TECHNICAL FEATURES:

- > Short rubber fin for the technical diver
- > Easy on and off
- > Stainless steel strap with easy grip
- > High force fin with edges for maneuverability
- > Negative buoyancy in the water

SIZE CHART, RUBBER FIN

	Description	Size	USA	France	Japan	Length (cm)
	Trident Fin	M	6-8	39-41	24-25	46
	Trident Fin	L	9-11	42-44	26-27	48.5
	Trident Fin	XL	12-13	45-46	28-29	51
	Trident Fin	XXL	13-15	46-48	30	52

STAINLESS STRAP + CLIP TRIDENT FIN

Prod. Code	Product Name
0750-012	Stainless Strap+Clip Trident Fin - M - Black
0750-013	Stainless Strap+Clip Trident Fin - L - Black
0750-014	Stainless Strap+Clip Trident Fin - XL - Black
0750-015	Stainless Strap+Clip Trident Fin - XXL - Black
0750-027*	Stainless Strap+Clip Trident Fin - M - Red
0750-029*	Stainless Strap+Clip Trident Fin - XL - Red

STAINLESS CLIP TRIDENT FIN

Prod. Code	Product Name
0750-006	Stainless Clip Trident Fin

DAY PACK BAG

Poseidon's travel bag in ballistic nylon with water valves for wet equipment.



Art. no.	Description
0650-005	Day Pack Bag Black
0650-006	Day Pack Bag Green

MATERIAL:

Ballistic Nylon, Nylon straps, YKK waterproof zipper.



COLORS

Black Green

TECHNICAL FEATURES:

Waterproof side pockets, main pocket with holes in bottom, inside padding with additional accessory pockets.

REGULATOR BAG



COLORS

Black

Art. no.	Description
7615	Regulator Bag



POSEIDON PROFESSIONAL 500 M DIVE WATCH

The Poseidon Professional 500 m dive watch is back. Available with yellow or black dial.

Quartz movement, uni-directional rotating bezel, illuminated markings and date at 3 o'clock, water resistant to 500 m.

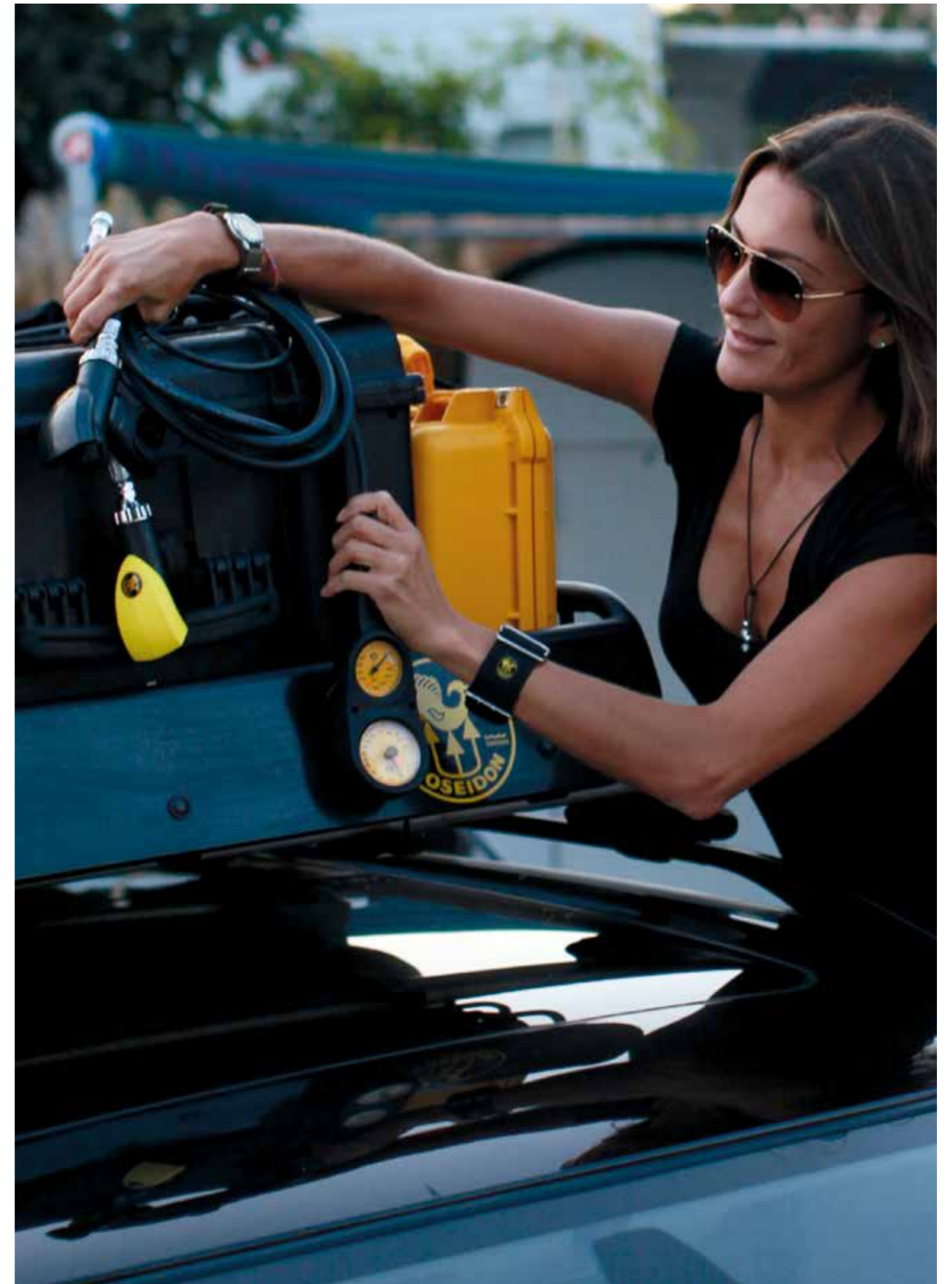
Black or yellow dial with date.
Sapphire glass.
Diameter 46 mm, thickness 12 mm.



Art. no.	Description
0610-001	Dive Watch Professional 500 m YW



Art. no.	Description
0610-003	Dive Watch Professional 500 m BK



Bags, Cases & Other Accessories



TITANIUM KNIFE

The Black Line Titanium Knife offers the ultimate combination of high quality and rugged design. The custom sheath with quick release mechanism ensures that your knife will be instantly available whenever you need it. The titanium blade and hammer tip will ensure that it is up to any task you put it to.

COLORS

Black



Art. no.	Description
----------	-------------

0655-011	Black Line Titanium Knife
----------	---------------------------

MATERIAL:

Titanium blade with TPR handle, POM sheath and neoprene harness.

TECHNICAL FEATURES:

Titanium blade for ultimate quality.
Hammer tip.
Quick-release polyurethane sheath with neoprene securing straps.

WING MAN, SIDE SLING BAG

COLORS

Black



Art. no.	Description
----------	-------------

0650-031*	Side Sling Case 7 L / 55 CF
0650-032	Side Sling Case 5 L / 40 CF
0650-033*	Side Sling Case 11 L / 80 CF

MATERIAL:

Ballistic Nylon 1680, YKK Waterproof Zipper, Military Mesh, Octopus Velcro.



NECK STRAP MASK SILICON BLACK

Art. no.	Description
----------	-------------

8095 01*	Neck Strap Mask Silicon Black
----------	-------------------------------



NECK STRAP MASK SILICON CLEAR

Art. no.	Description
----------	-------------

8095 02*	Neck Strap Mask Silicon Clear
----------	-------------------------------



LINE CUTTER

Titanium line cutter with multifunction casing, both velcro and webbing.

COLORS

Titanium with black case



Art. no.	Description
----------	-------------

0655-002	Line cutter
----------	-------------

Bags, Cases & Other Accessories



MOUTHPIECE INCL. STRAPS

Art. no.	Description
----------	-------------

0005-009	Mouthpiece incl. straps
----------	-------------------------



NECKSTRAP

Ultra comfortable neckstrap in 2 mm neoprene with anti-slide velcro.

COLORS

Black



Art. no.	Description
----------	-------------

3709 06	Nackband mask neopr. Velcro
---------	-----------------------------

MATERIAL:

Jako neoprene in 2 mm. Available in Black with Poseidon rubber logo.

TECHNICAL FEATURES:

Anti-slide velcro patches.



BACKPLATE STEEL ONE HARNESS/ BESEA

Stainless steel replacement for the plastic backplate integrated in the One Harness and adds an extra 2kg of weight.

Art. no.	Description
----------	-------------

0000-256*	Backplate Steel Besea
-----------	-----------------------



ANTI-FREEZE CAPS INCL. STRAPS

Art. no.	Description
----------	-------------

1286	Anti-freeze Caps
------	------------------



BOLT KIT BESEA BUTTERFLY

Art. no.	Description
----------	-------------

000-93*	Bolt Kit Besea Butterfly
---------	--------------------------



D-RING KIT BESEA PREBENT

Art. no.	Description
----------	-------------

001-91*	D-Ring Kit Besea Prebent
---------	--------------------------

Bags, Cases & Other Accessories



**TANK BELT BESEA
100 ADVANCED**

COLORS

Black



Art. no.	Description
000-30*	Tank Belt Bessea 100 Advanced



HP-HOSE

Art. no.	Description
3087	HP-Hose 80 cm, int. 1/8" ext. 7/16"
3087 10*	HP-Hose 80 cm, int. 7/16" ext. 7/16"
3089*	HP-Hose 60 cm, int. 1/8" ext. 7/16"
3089 10*	HP-Hose 60 cm, int. 7/16" ext. 7/16"



SUIT HOSE UNF 3/8"

Art. no.	Description
3093*	Suit Hose 80 cm UNF 3/8"
3095	Suit Hose 90 cm UNF 3/8"



**LP-HOSE BESEA
ADVANCED 65 CM**

Art. no.	Description
000-32	LP-Hose Bessea Advanced 65 cm



HP-HOSE DIL 30CM

Art. no.	Description
0132-009	High Pressure Rubber Hose 7/16" - 30cm/16in - DIL



HP-HOSE

COLORS

Black



Art. no.	Description
1091*	High Pressure Rubber Hose 7/16" - 80cm/31in - 1/8"
1092*	High Pressure Rubber Hose 7/16" - 100cm/39in - 1/8"
1093*	High Pressure Rubber Hose 7/16" - 150cm/59in - 1/8"
1094*	High Pressure Rubber Hose 7/16" - 200cm/79in - 1/8"



LP MANIFOLD

Art. no.	Description
0000-076	LP Manifold

Bags, Cases & Other Accessories



**SWIVEL COUPLING
13 BAR ANGLE**

Art. no.	Description
3289	Swivel Coupling 13 Bar Angle



**SWIVEL COUPLING
13 BAR ANGLE O2**

Art. no.	Description
0000-915	Swivel Coupling 13 Bar Angle O2



**FILLING ADAPTER
M26-G5/8" O2-CLEAN**

Art. no.	Description
0005-008	Filling Adapter M26-G5/8" O2-Clean



**BANJO 300 BAR
UNF 7/16"**

Art. no.	Description
3291*	Banjo 300 Bar UNF 7/16"



**BANJO 90 HP
O2-CLEAN**

Art. no.	Description
0005-006	Banjo 90 HP O2-Clean



**SECURITY VALVE
14 BAR UNF 3/8"**

Art. no.	Description
0005-193	Security Valve 14 Bar UNF 3/8"



**CONNECTION
INN 3/8" OUT 1/8"**

Art. no.	Description
2415	Connection int. 3/8" ext. 1/8"



**CONNECTION
INT 1/8" EXT 7/16"**

Art. no.	Description
3137	Connection int. 1/8" ext. UNF 7/16"



**SECURITY VALVE
14 BAR G1/8"**

Art. no.	Description
2064	Security Valve 14 Bar G1/8"



POSEIDON SWEATSHIRT EMBRODED LOGO

Black, with Poseidon logo Embroded Grey

COLORS

Black



Art. no.	Description
0043-863	Poseidon Sweatshirt Black, logo Grey S
0043-864	Poseidon Sweatshirt Black, logo Grey M
0043-866	Poseidon Sweatshirt Black, logo Grey L
0043-867	Poseidon Sweatshirt Black, logo Grey XL
0043-868	Poseidon Sweatshirt Black, logo Grey XXL
0043-869	Poseidon Sweatshirt Black, logo Grey XXXL



POSEIDON CAP TRUCKER

Cap with embroided logo.

COLORS

Black



Grey



Art. no.	Description
0043-001	Poseidon Cap Trucker Black logo grey
0043-002	Poseidon Cap Trucker Grey logo black

POSEIDON CAP DAD

Cap with embroided logo.

COLORS

Black



Art. no.	Description
0043-003	Poseidon Cap Dad Black, logo black
0043-004	Poseidon Cap Dad Black, logo Yellow



POSEIDON POWER STRECH HAT

COLORS

Black



Art. no.	Description
7011-BK	Poseidon Power Strech Hat



POSEIDON CAP FISH

Cap with embroided logo.

COLORS

Black



Art. no.	Description
0040-013	Poseidon Cap All Good



POSEIDON POLO SHIRT

Black with Grey double stripe and Poseidon Woven logo

COLORS

Black



Art. no.	Description
0043-563	Poseidon Polo Shirt, Grey double stripe, Black S
0043-564	Poseidon Polo Shirt, Grey double stripe, Black M
0043-566	Poseidon Polo Shirt, Grey double stripe, Black L
0043-567	Poseidon Polo Shirt, Grey double stripe, Black XL
0043-568	Poseidon Polo Shirt, Grey double stripe, Black XXL
0043-569	Poseidon Polo Shirt, Grey double stripe, Black XXXL

Apparel



POSEIDON SHORTS

Black with Poseidon logo Grey
Pocket with zipper.

MATERIAL: Cotton fleece

COLORS

Black



Art. no.	Description
0043-163	Poseidon Shorts Black S
0043-164	Poseidon Shorts Black M
0043-166	Poseidon Shorts Black L
0043-167	Poseidon Shorts Black XL
0043-168	Poseidon Shorts Black XXL
0043-169	Poseidon Shorts Black XXXL

Apparel



POSEIDON T-SHIRT BAMBOO BLACK

Black with Poseidon logo Grey or
Black with Poseidon logo Yellow

MATERIAL: 95% Bamboo, 5% Spandex

COLORS

Black



Art. no.	Description
0043-313	Poseidon T-Shirt Bamboo Black, logo Yellow S
0043-314	Poseidon T-Shirt Bamboo Black, logo Yellow M
0043-316	Poseidon T-Shirt Bamboo Black, logo Yellow L
0043-317	Poseidon T-Shirt Bamboo Black, logo Yellow XL
0043-318	Poseidon T-Shirt Bamboo Black, logo Yellow XXL
0043-319	Poseidon T-Shirt Bamboo Black, logo Yellow XXXL
0043-363	Poseidon T-Shirt Bamboo Black, logo Grey S
0043-364	Poseidon T-Shirt Bamboo Black, logo Grey M
0043-366	Poseidon T-Shirt Bamboo Black, logo Grey L
0043-367	Poseidon T-Shirt Bamboo Black, logo Grey XL
0043-368	Poseidon T-Shirt Bamboo Black, logo Grey XXL
0043-369	Poseidon T-Shirt Bamboo Black, logo Grey XXXL



POSEIDON HOODED SWEATSHIRT

Black with Poseidon logo Grey or
Black with Poseidon logo Yellow

MATERIAL: 100% Cotton

COLORS

Black



Art. no.	Description
0043-663	Hooded Sweatshirt Black, logo Grey S
0043-664	Hooded Sweatshirt Black, logo Grey M
0043-666	Hooded Sweatshirt Black, logo Grey L
0043-667	Hooded Sweatshirt Black, logo Grey XL
0043-668	Hooded Sweatshirt Black, logo Grey XXL
0043-669	Hooded Sweatshirt Black, logo Grey XXXL
0043-713	Hooded Sweatshirt Black, logo Yellow S
0043-714	Hooded Sweatshirt Black, logo Yellow M
0043-716	Hooded Sweatshirt Black, logo Yellow L
0043-717	Hooded Sweatshirt Black, logo Yellow XL
0043-718	Hooded Sweatshirt Black, logo Yellow XXL
0043-719	Hooded Sweatshirt Black, logo Yellow XXXL



POSEIDON NECK WARMER

Black, with Poseidon logo Embroidered Yellow
100% Merino Wool

COLORS

Black



Art. no.	Description
0043-XXX	Poseidon Neck Warmer, Black



POSEIDON BELT

Black, with Poseidon Woven logo
Length 1400 mm

COLORS

Black



Art. no.	Description
0043-XXX	Poseidon Belt, Black

POSEIDON DIVING SYSTEMS AB

Beatrice Lesslies Gata 7
SE-421 31 Västra Frölunda
SWEDEN

E-mail: sales@poseidon.com
order@poseidon.com
Phone: +46 31 734 29 00

shop.poseidon.com
www.poseidon.com

order.poseidon.com

